

# Solenoid type Lockout Relay B-MR type

## 【Description】

Lockout Relay is the master trip relay which is used for protection of Generator, Transformer, Turbine by tripping and lockout of linebreaker. When it operates, we have to reset it by hand after all faults are cleaned to avoid accidental reclosing. B-MR type Lockout Relay compose of contact portion (cam-operated switch) and mechanical portion (solenoid). Arbitrary contact number is selected from 2 - 20 because cam-operated switch is used as contact. Manual handle interface enables simple operation, and tripping condition can be easily acknowledged by seeing status of indicator's red and green color.

Newly designed solenoid mechanism makes body size more compact and faster tripping time (NC&NO contacts : less than 8 msec). High tripping speed enhances reliability to protect important applications by breaking electrical circuit in short time.



## 【Features】

### 1. High speed operation

Contact close or open time after the coil is energized.

NC contact : less than 8 msec,

NO contact : less than 8 msec\*

\*15 msec when bouncing time is included.

### 2. Compact size

Newly designed solenoid type is smaller than existing Coil type (Mechanical portion).

Face plate length (vertical size)

New type : 95mm, Old type : 137.5mm

### 3. Wide coil voltage lineup

Operating voltages are 24V, 100/110V, 125V, 200/220V DC and 100/110V, 200/220V AC.

### 4. Max. 20 contacts

Max. contact number is 20 (NC and NO in total\*), which can be applied to wide range of applications.

(Combination of NC and NO is free.)

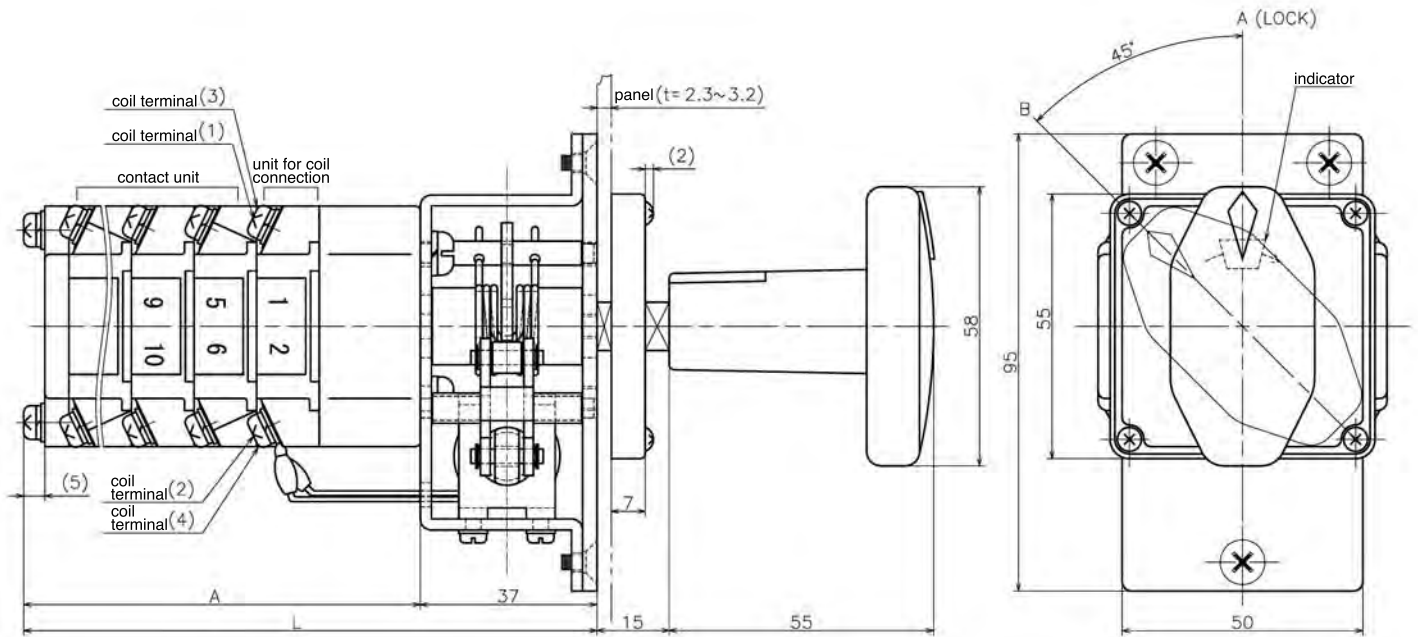
\*Contacts for coil excitation are not included.

## 【Specifications】

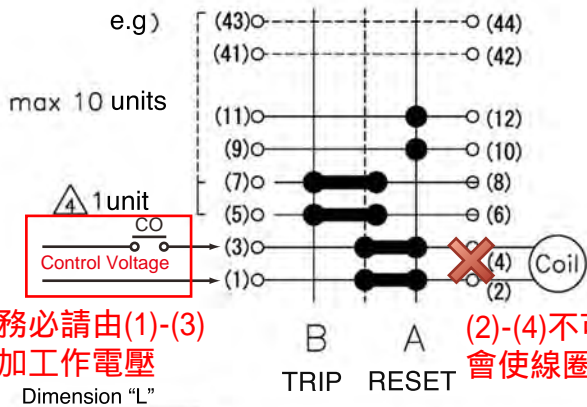
Item	Specification
Operation Time	NC contact : 8m second
	NO contact : 8m second (15m second when bouncing time is included.)
Insulation Voltage (Ui)	600V
Current Capacity (Ith)	20A
Life time	10,000 times for both Mechanical and Electrical operation
Max. contact	20 contacts (contacts for coil circuit are not included.)
Operation Voltage	DC: 24V, 100/110V, 125V, 200/220V
	AC: 100/110V, 200/220V
Withstand Voltage	AC 2,500 V/1min
Operation Temperature	-20 ~ +50°C



Dimension (mm)



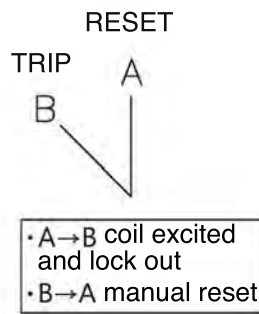
Wiring (20 contacts / 10 units Max.)



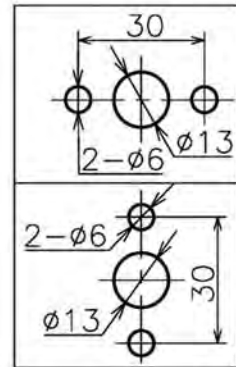
務必請由(1)-(3)  
加工作電壓

(2)-(4)不可直接加電壓！  
會使線圈燒毀！

Notch



Both two kinds of the panel cuts below are usable.



Unit number	2	3	4	5	6	7	8	9	10	11
A(mm)	57	70	83	96	109	122	135	148	161	174
L(mm)	94	107	120	133	146	159	172	185	198	211

\*Coil connection is included



FUJI ELECTRIC INDUSTRY CO., LTD.

[Sales Office] 3-4-1, Nomura, Kusatsu, Shiga 525-8521, Japan  
Phone +81-77-562-1215 Fax +81-77-562-1213

URL: [www.fujidk.co.jp/english/](http://www.fujidk.co.jp/english/)

E-mail: [prod@fujidk.co.jp](mailto:prod@fujidk.co.jp)