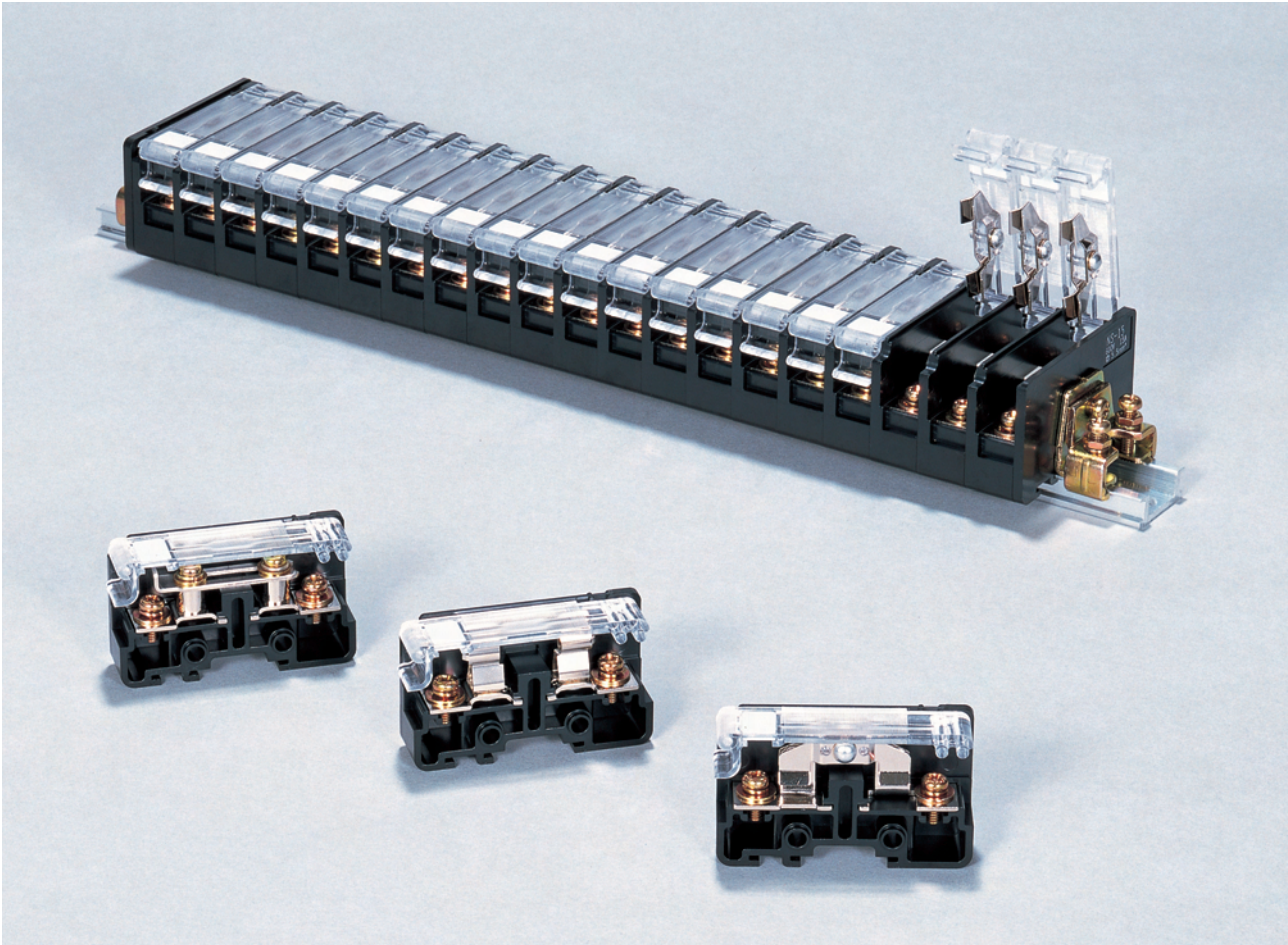




# NS TYPE



## FEATURES

- Using the lever enables disconnection between the left and right terminals.
- The NS-type may be assembled with the DIN rail. Assembly with the TUB rail or the shaft may also be selected to meet your purpose of use.
- The NS-F can also be used a fuse stand as it allows for fitting a fuse inside.
- The NS-TT enables separation and connection between the left and right banks through its internal short-circuit bar.
- The NS-15 enables disconnection of 2 or 3 poles as a group in accordance with your purpose of use.

## SPECIFICATIONS (RATINGS, PERFORMANCE)

Specification	Type	NS-15	NS-F	NS-TT
Rated insulation voltage		600V AC/DC		250V AC/DC
Rated current-carrying capacity		15A	10A	15A
Max. wire size		5.5mm <sup>2</sup>		
Screw size		M4 × 10		
Withstand voltage		1 minute at 3,000V AC		
Lightning impulse		±7,000V/3 times for each pole (1.2/50 μs)		
Operating temperature		-20 to 50°C		
Storing temperature		-40 to 75°C		
Service condition (altitude)		Max. 2,000 m		

## ORDERING METHOD

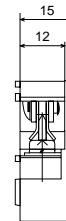
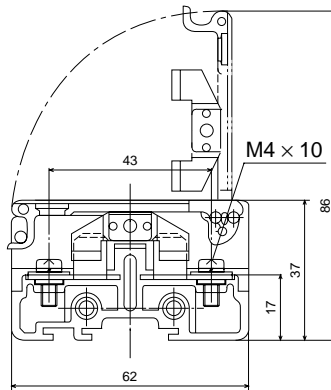
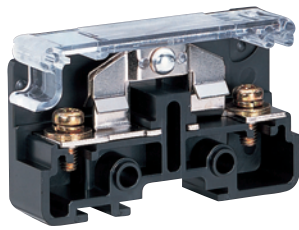
See the ordering method for the TU type (P. 35).

## STANDARD PRODUCTS

For details of accessories, see P. 72.

### NS-15 (15A)

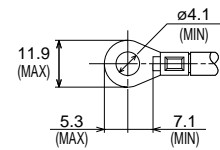
Applicable electric wire: 1.25 to 5.5 mm<sup>2</sup>



#### ●Applicable accessories

End plate	NSE-15
Standard marker strip	TUM-1
Standard rail	TUB
End clamp	TUL-W

#### ●Applicable crimp terminal

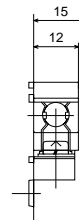
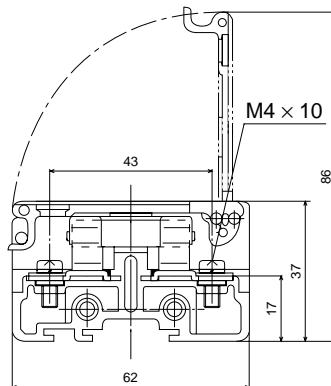
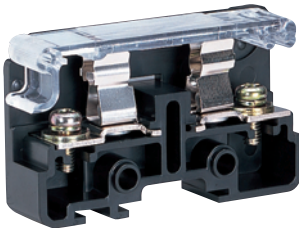


\* With insulating cover

With fuse holder

### NS-F (10A)

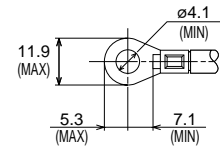
Applicable electric wire: 1.25 to 5.5 mm<sup>2</sup>



#### ●Applicable accessories

End plate	NSE-F
Standard marker strip	TUM-1
Standard rail	TUB
End clamp	TUL-W
Applicable fuse	ø6.4 × 30

#### ●Applicable crimp terminal

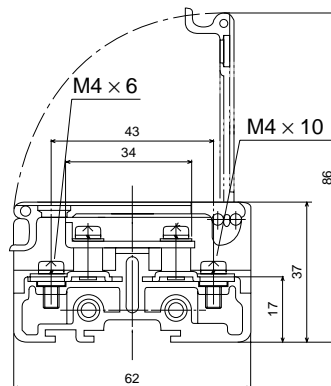
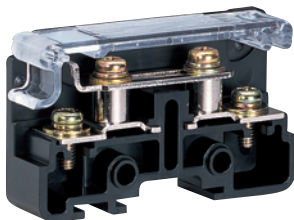


\* With insulating cover

With short-circuit function

### NS-TT (15A)

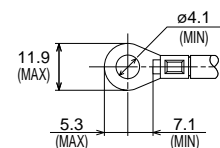
Applicable electric wire: 1.25 to 5.5 mm<sup>2</sup>



#### ●Applicable accessories

End plate	NSE-TT
Standard marker strip	TUM-1
Standard rail	TUB
End clamp	TUL-W
Short bar	NS-TTS bar

#### ●Applicable crimp terminal



\* With insulating cover

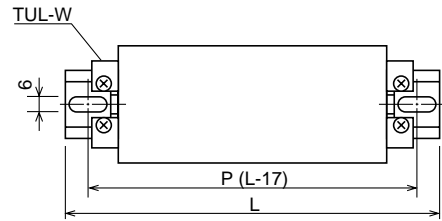


# NS TYPE

## TABLE OF ASSEMBLED DIMENSIONS

NS type assembly with punched rail

Assembly with **TUB-D**

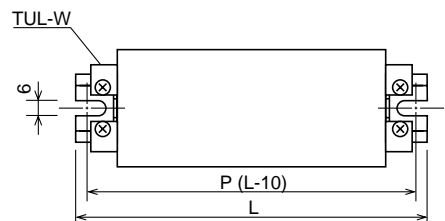


NS-15, F, TT

No. of poles	1	2	3	4	5	6	7	8	9	10	11	12	13	14	15
P	60	80	100	120	140	160	180	200	220	240	260				
L	77	97	117	137	157	177	197	217	237	257	277				
Rail designation	UD-4	UD-5	UD-6	UD-7	UD-8	UD-9	UD-10	UD-11	UD-12	UD-13	UD-14				
No. of poles	16	17	18	19	20	21	22	23	24	25	26	27	28	29	30
P	280	290	320	340	360	380	400	420	440	460	480	500			
L	297	317	337	357	377	397	417	437	457	477	497	517			
Rail designation	UD-15	UD-16	UD-17	UD-18	UD-19	UD-20	UD-21	UD-22	UD-23	UD-24	UD-25	UD-26			

NS type assembly with U-cut rail

Assembly with **TUB-F**

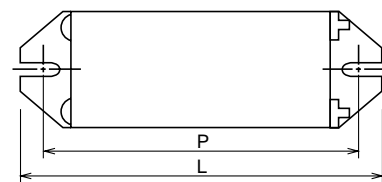


NS-15,F,TT

No. of poles	1	2	3	4	5	6	7	8	9	10	11	12	13	14	15
P	55	70	85	100	115	130	145	160	175	190	205	220	235	250	265
L	65	80	95	110	125	140	155	170	185	200	215	230	245	260	275
Rail designation	UF-65	UF-80	UF-95	UF-110	UF-125	UF-140	UF-155	UF-170	UF-185	UF-200	UF-215	UF-230	UF-245	UF-260	UF-275
No. of poles	16	17	18	19	20	21	22	23	24	25	26	27	28	29	30
P	280	295	310	325	340	350	370	385	400	415	430	445	460	475	490
L	290	305	320	335	350	360	380	395	410	425	440	455	470	485	500
Rail designation	UF-290	UF-305	UF-320	UF-335	UF-350	UF-360	UF-380	UF-395	UF-410	UF-425	UF-440	UF-455	UF-470	UF-485	UF-500

NS type shaft

Assembly with **NS** shaft



NS-15, F, TT

No. of poles	1	2	3	4	5	6	7	8	9	10	11	12
P	37	52	67	82	97	112	127	142	157	172	187	202
L	47	62	77	92	107	122	137	152	167	182	197	212