

## 低壓礙子



RM-25

RM-32

RM-35

RM-40

RM-45

RM-51

RM-60

RM-76

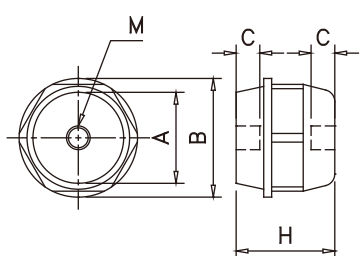


FIG 1

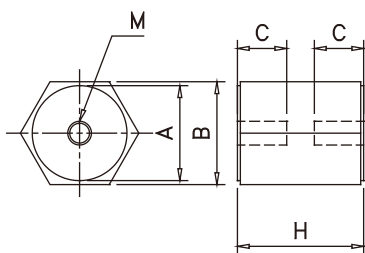


FIG 2

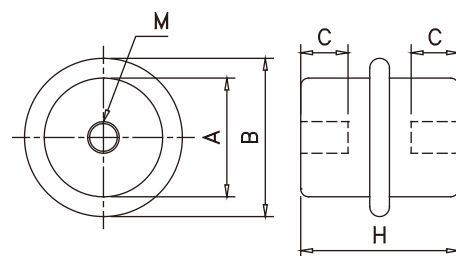


FIG 3

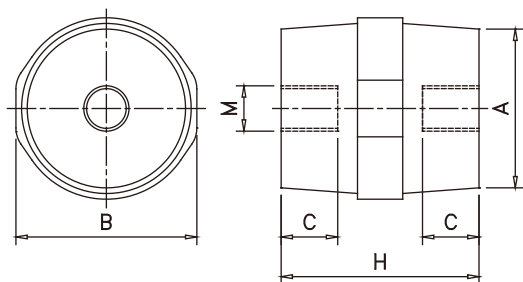


FIG 4

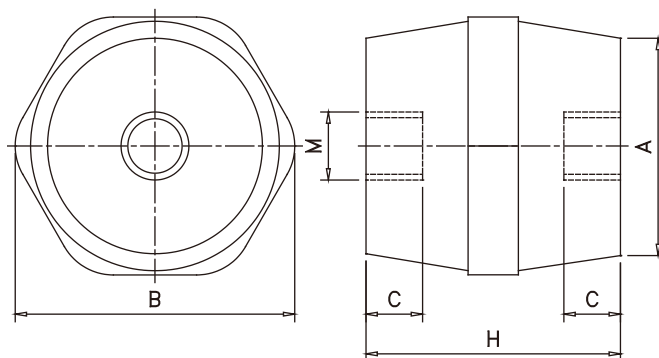


FIG 5

STANDARD TYPE (EX. RM-25)  
FIREPROOF TYPE (EX. RM-25-F)

TOLERANCE:  $\begin{matrix} +0.6 \\ -0.4 \end{matrix}$   
Unit:mm

TYPE	H	A	B	C	M	TENSILE STRENGTH	ADMISSIBLE OPE-RATING VOLTAGE	TEMPERATURE -RESISTANCE	FIG.
RM-25-(F)	25	23	30	6	M6	250Kg	600V	150°C	1
RM-32-(F)	32	24	26	12.5	M6	500Kg	600V		2
RM-35-(F)	35	28	32	10	M8	800Kg	600V		4
RM-40-(F)	40	30	40	12	M8	1000Kg	600V		3
RM-51-(F)	51	29	36	16	M8	1400Kg	600V		4
RM-76-(F)	76	36	50	20	M10	>1400Kg	600V		4
RM-45L-(F)	45	38	50	16	M12	>1000Kg	600V		5
RM-60L-(F)	60	44	61	20	M12	>1400Kg	600V		5

NOTE

- MATERIAL: BMC, BRASS METAL
- COLOR: RED (STANDARD TYPE)  
BLACK (FIREPROOF TYPE)
- DIELECTRIC STRENGTH: 5KVAC (1 MINUTE) MIN.
- RoHS 2002/95/EC, UL94-V0