

GENERALITY



MODELS

ELRC-1/35	ELRC-1/60	110Vac/dc-230-400 Vac
ELRC-1/80	ELRC-1/110	

ELRC-1/35	ELRC-1/60	24 - 48 Vac/dc (option)
ELRC-1/80	ELRC-1/110	

OPTIONS

F	built-in filter for 3rd harmonic
2	Double output contact NO-C-NC (in such a case the relay is renamed as ELRC-2/...)
T	tropicalisation

The **ELRC-1** have the particularity that they are manufactured with the built-in Toroidal Transformers.

They are specially conceived for those applications, in which the space saving is an advantage (for example, in **MOTOR CONTROL CENTERS, BATTERIES OF DISTRIBUTION**, etc.).

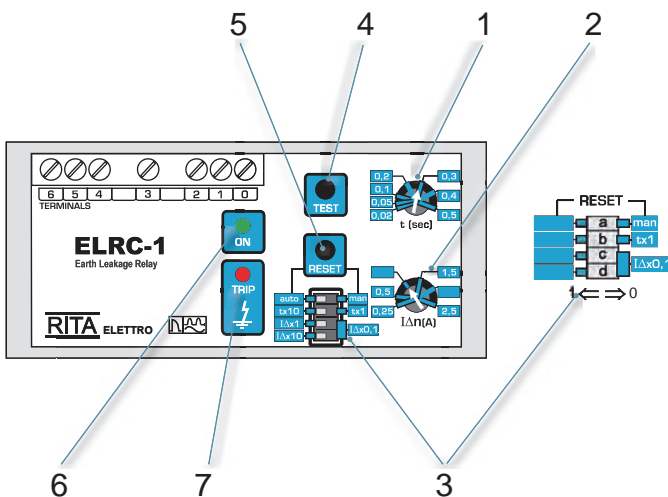
Although its reduced dimensions, the relay has as wide setting ranges as the other ELR's series.

Such a feature allows to easily choose the tripping current value, in the way that the voltage values are maintained below 50V, in compliance with the CEI Standards.

It allows also to perform a tripping selectivity, whenever there are more ELR's or RCD's in the same line.

Other important feature is its insensitivity to external disturbances and pulse currents with dc components (presents in the line), due to the filters built on the input circuits, as per the VDE Standards.

LEGEND

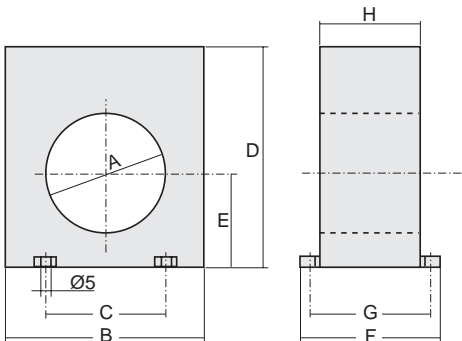


1	Potentiometer for tripping time setting.
2	Potentiometer for tripping current setting.
3	Microswitches for constant selection: <ul style="list-style-type: none"> • time: K = 1 with micro (a) in position 0; K = 10 with micro (a) in position 1; • current: K = 0,1 with micros (b-c) in position 0; K = 1 with micro(b) in position 1 and (c) in position 0; K = 10 with micros (c-b) in position 1
4	Test push button.
5	Manual reset push button.
6	Signalling lamp for Aux. Supply presence (green LED).
7	Signalling lamp for relay tripped (red LED).

ELECTRICAL CHARACTERISTICS

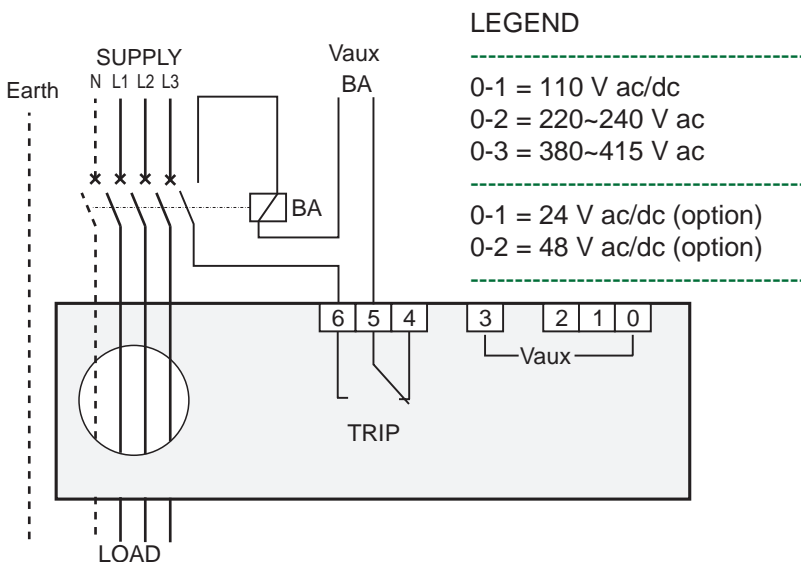
models and value	ELRC-1
Auxiliary Voltage supply	24-48V ac/dc (option) / 110 Vac/dc - 230 - 400 Vac ± 20% (standard)
Frequency	50 ÷ 60 Hz
Maximum consumption	3 VA
Current tripping adjustment range I Δ N	0,025÷0,25A K=0,1 - 0,25÷2,5A K=1 - 2,5÷25A K=10
Tripping time setting range	0,02 ÷ 0,5 sec. K=1 - 0,2 ÷ 5 sec. K=10
Output: 2 change over contacts	5A 250V
Working Temperature	-10 + 60°C
Storing Temperature	-20 + 80°C
Relative Humidity	90%
Insulation Test	2,5 kV 60 sec.
Standards	CEI 41-1/IEC 255/VDE 0664/IEC 755/CEI 64.8/ EN 61008-1(1999-11)/EN 62020 (1999-09) / EN 61543 (1996-09) /EN61326-1(1998-04) / EN 61326/A1 (1999-05)-IEC 60947-2 ANNEX M
Wiring method	Screw terminals for cross section wire 2,5 mm ²
Terminals protection according with DIN 40050	IP20

DIMENSIONS



type	DIMENSIONS (mm)							
	A	B	C	D	E	F	G	H
ELRC-1/35	35	100	60	110	47	70	60	50
ELRC-1/60	60	100	60	110	47	70	60	50
ELRC-1/80	80	150	110	160	70	70	60	50
ELRC-1/110	110	150	110	160	70	70	60	50

WIRING DIAGRAM



LEGEND

-
- 0-1 = 110 V ac/dc
- 0-2 = 220~240 V ac
- 0-3 = 380~415 V ac
-
- 0-1 = 24 V ac/dc (option)
- 0-2 = 48 V ac/dc (option)
-

普得企業股份有限公司

總公司: 台北市內湖區行愛路68號6樓
 電話: (02)8791-8588 傳真: (02)8791-9588
 台中辦事處: 台中市文心路四段200號10樓之2
 電話: (04)2296-9388 傳真: (04)2296-9386
 高雄辦事處: 高雄市民生一路56號15樓之6
 電話: (07)227-2133 傳真: (07)227-2173
 電子郵件: toyotech@ms37.hinet.net
 網址: www.toyotech.com.tw