

RITA

Low Voltage HRC Fuse Switch Disconnecter



INNOVATIVE SOLUTION

The new RITA-STL series size 00 was developed on the basis of extensive market studies and with a holistic view of customer needs. The resulting advantages for users are readily apparent. With this new STL generation, planners and switchgear manufacturers are provided with a range of devices that will help them remain competitive in the face of ever tougher market requirements. After all, modern approaches to power distribution demand modular switchgear that is simple to install and safe and reliable in operation. A cost-benefit ratio in line with the market and ease of service are absolute musts.

On the new STL models for mounting on base plates, integrated hand protection and a viewing window enable voltage tests to be conducted on contact blades or strap handles. Besides reliable connection techniques such as cable lug, clamp connector for copper and aluminum, a new box terminal was developed for STL size 00. It has the dual advantage of reducing the connection installation time and eliminating the need for cable lugs.

The disconnectors for mounting on base plates, size 00, comes with a number of predrilled fastening holes that allow these models to be used on base plates or on profiles. With the appropriate accessories, the sizes 00 can be mounted on two tophat rails. Further accessories like terminal housing cover, terminal extension, position indication for switching cover, etc., assist the user in finding the optimum approach.

TECHNICAL CHARACTERISTICS

Type	STL-00	STL-1-S	STL-2-S	STL-3-S
Rated operational current I_e	160A	250A	400A	630A
Rated operational voltage U_e	690VAC			
Rated insulation voltage U_i	800VAC			
Rated frequency	50/60Hz			
Category of use (according to EN 60947-3)	S (standard)			
at 415VAC	AC-23B			
at 690VAC	AC-21B			
Rated conditional short-circuit current	with fuse protection			
at 415VAC	120KA			
at 690VAC	50KA			
Rated short-circuit making capacity I_{cm}	with fuse protection			
at 415VAC	120KA			
at 690VAC	50KA			
Mechanical life (switching cycles)	1400	1400	800	800
Electrical life (switching cycles)	200	200	200	200
Fuse link max. Permissible power loss	12W	23W	34W	48W
Ambient temperature	-20 ~ 60°C			
Terminal size (screw type terminal)	M8	M10	M10	M12
Tightening torque level (screw type terminal)	12Nm	20Nm	20Nm	30Nm

ADVANTAGES



■ Ideal voltage test

Long test probe on contact blade
Short test probe on strap handle



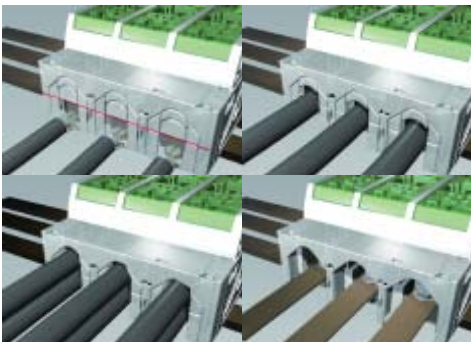
■ Reliable switching with integrated hand protection feature

Prevents fuse unit contact
Protection against electric arc



■ Protection against accidental contact in the standard model

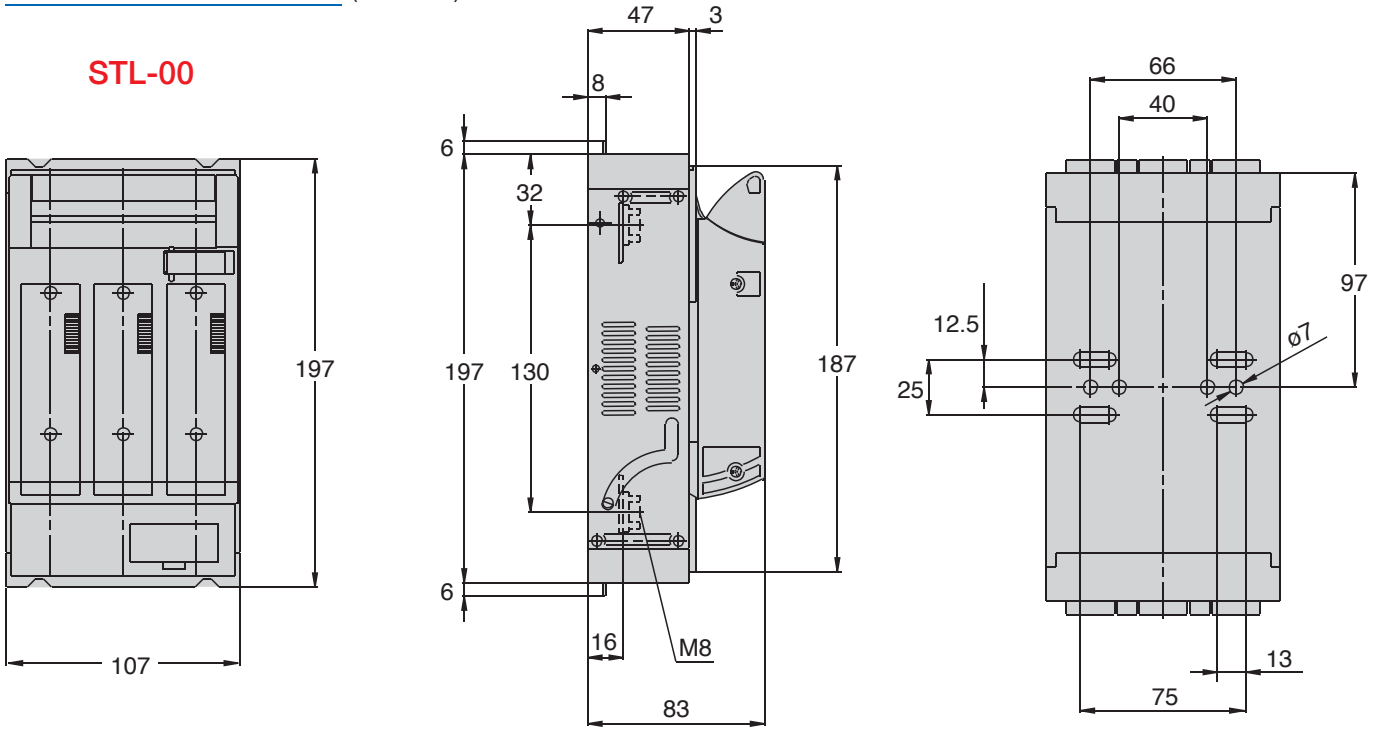
Terminal housing closed
Optimum knock-out features
Terminal housing cover usually not needed



■ Knock-out versions for connection

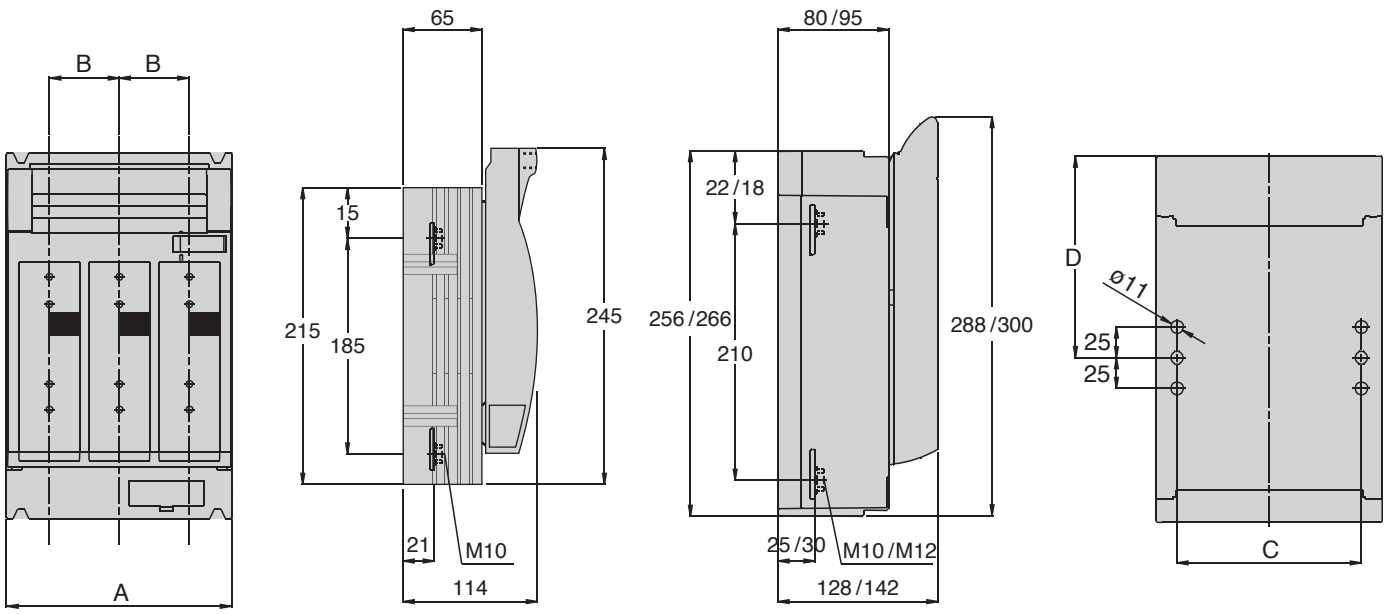
Standard model closed
Very simple break-out for all versions
also those with terminal housing covers

STL-00



Fastening Holes

STL-1-S / STL-2-S / STL-3-S



Size 1

Size 2 / Size 3

Fastening Holes

	A	B	C	D
Size 1	184	57	114	83
Size 2	210	65	130	122
Size 3	250	80	162	126

東技企業股份有限公司

www.toyotech.com.tw

台北總公司
 台北市內湖區行愛路68號6樓
 電話：(02)8791-8588
 傳真：(02)8791-9588
 電子郵件：toyotech@ms37.hinet.net

台中辦事處
 台中市文心路四段200號10樓之2
 電話：(04)2296-9388
 傳真：(04)2296-9386
 電子郵件：risho.risho@msa.hinet.net

高雄辦事處
 高雄市民生一路56號15樓之6
 電話：(07)227-2133
 傳真：(07)227-2173
 電子郵件：toyo.rita@msa.hinet.net