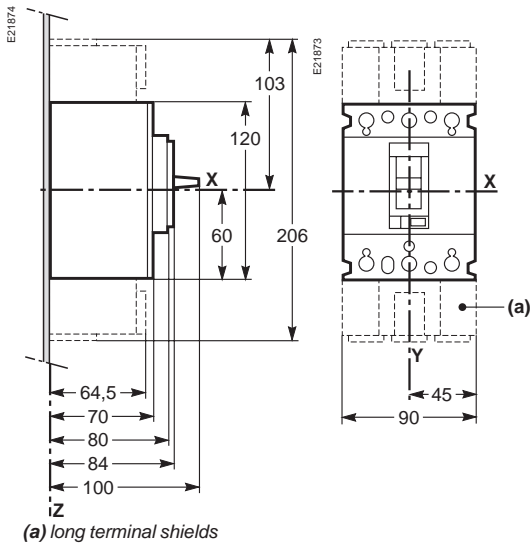


# Dimensions and connection

## Contents

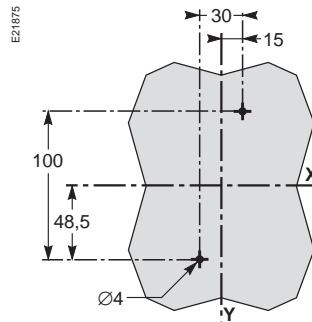
	<b>Compact NS80H-MA</b>	<b>C-2</b>
	<b>Compact NSC100</b>	<b>C-4</b>
	<b>Compact NSA160</b>	<b>C-5</b>
	<b>Compact NS100 to 630 (fixed version)</b>	<b>C-6</b>
	<b>Vigicompact NS100 to 630 (fixed version)</b>	<b>C-8</b>
	<b>Compact NS100 to 630 (plug-in and withdrawable versions)</b>	<b>C-10</b>
	<b>Vigicompact NS100 to 630 (plug-in and withdrawable versions)</b>	<b>C-12</b>
	<b>Compact NS100 to 250 (single-pole and two-pole versions)</b>	<b>C-14</b>
	<b>Visu function for Compact NS100 to 630 (combination with Interpact INV)</b>	<b>C-16</b>
	<b>Motor-mechanism module for Compact NS100 to 630</b>	<b>C-18</b>
	<b>Rotary handle for Compact NS100 to 630</b>	<b>C-20</b>
	<b>Indication and measurement modules for Compact NS100 to 630</b>	<b>C-22</b>
	<b>Front accessories for Compact NS100 to 630</b>	<b>C-24</b>
	<b>Compact NS630b to 1600 (fixed version)</b>	<b>C-26</b>
	Dimensions	C-26
	Mounting	C-27
	Front-panel cutouts	C-28
	Rotary handle	C-29
	<b>Compact NS630b to 1600 (withdrawable version)</b>	<b>C-30</b>
	Dimensions, mounting and cutouts	C-30
	Rotary handle	
	<b>Compact NS1600b to 3200 (fixed version)</b>	<b>C-32</b>
	Dimensions	C-32
	<b>Compact NS630b to 3200</b>	<b>C-33</b>
	External modules	C-33
	<b>Accessories NS630b to 3200</b>	<b>C-38</b>
	<b>Compact NS80H-MA, NSC100N and NSA160</b>	<b>C-40</b>
	<b>Compact, Vigicompact NS100 to 630 (fixed version)</b>	<b>C-42</b>
	<b>Compact, Vigicompact NS100 to 630 (plug-in and withdrawable versions)</b>	<b>C-44</b>
	<b>Compact NS630b to 1600 (fixed version)</b>	<b>C-46</b>
	Bars	C-46
	Cables with lugs and bare cables	C-49
	<b>Compact NS630b to 1600 (plug-in and withdrawable versions)</b>	<b>C-50</b>
	Bars	C-50
	Cables with lugs	C-52
	<b>Compact NS1600b to 3200 (fixed version)</b>	<b>C-53</b>
<i>Presentation</i>	2	
<i>Functions and characteristics</i>	A-1	
<i>Installation recommendations</i>	B-1	
<i>Electrical diagrams</i>	D-1	
<i>Additional characteristics</i>	E-1	
<i>Catalogue numbers and order forms</i>	F-1	

## Dimensions

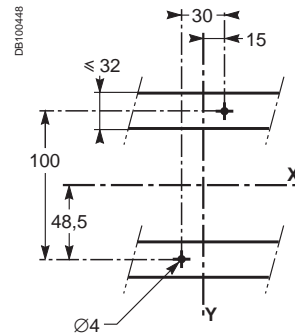


## Mounting

### On backplate

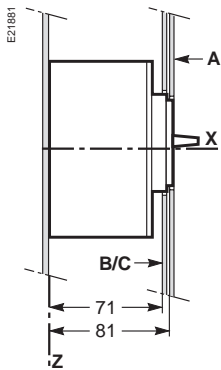


### On rails

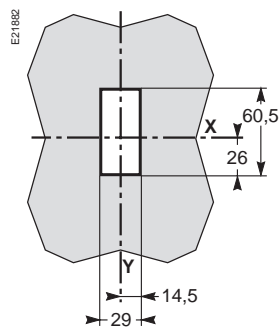


## Front-panel cutouts

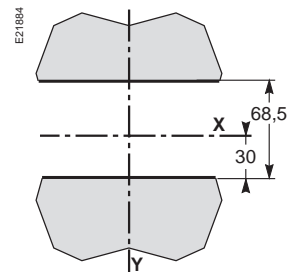
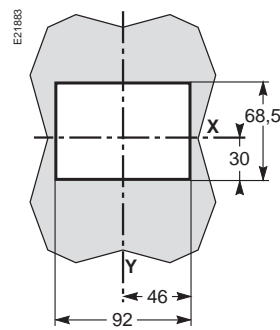
### Cutout A



### Cutout B



### Cutout C



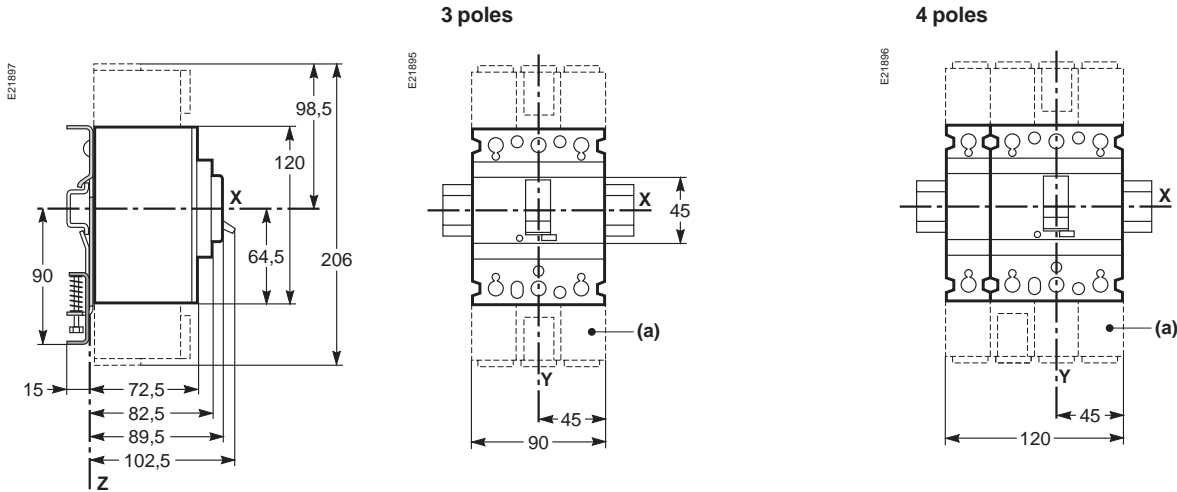




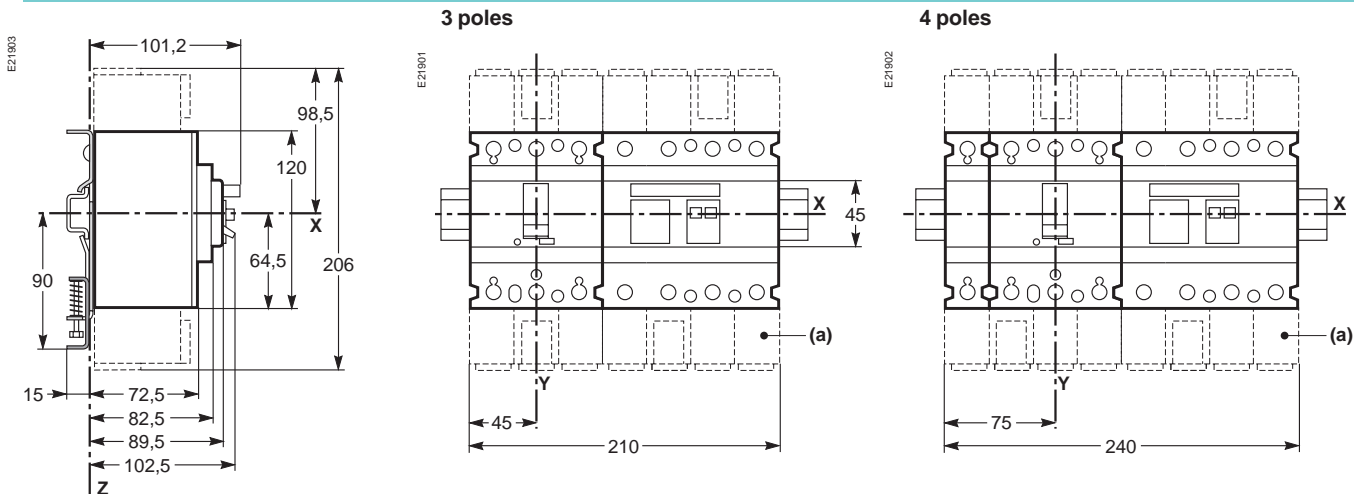
# Compact NSA160

## Dimensions

### Compact NSA160

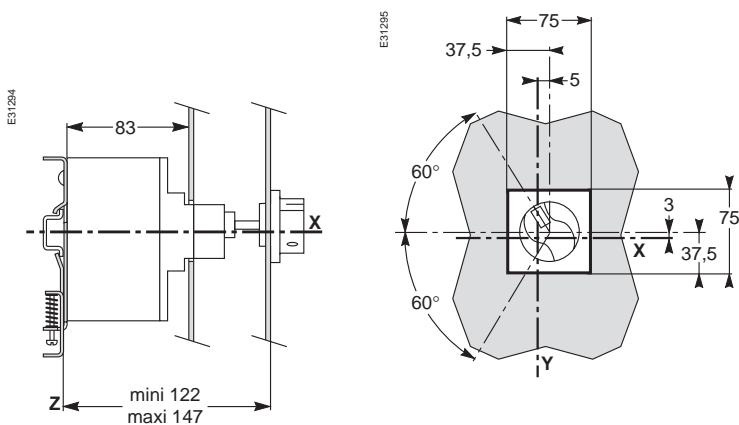


### Vigicomact NSA160

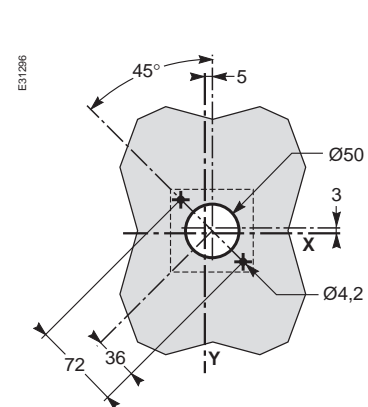


## Extended rotary handle

### Dimensions



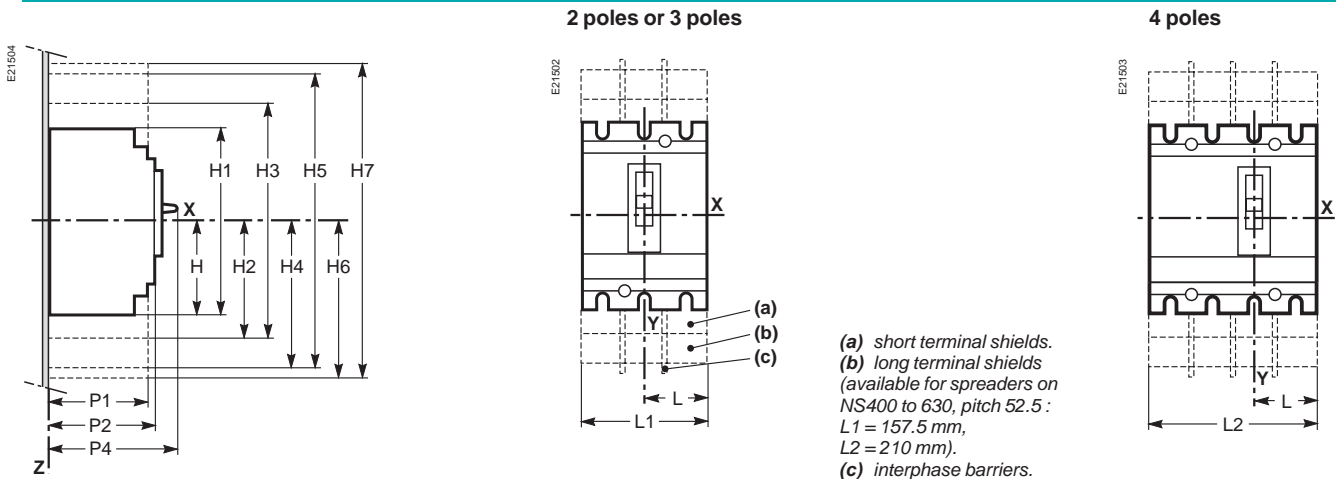
### Front-panel cutout



### Note.

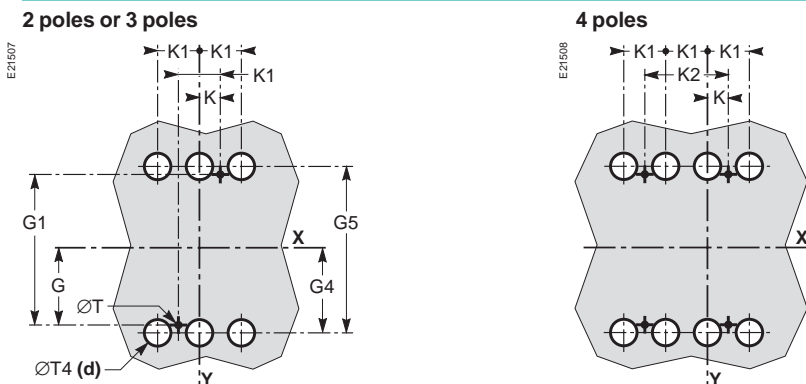
Centre line X indicates the centre of the mounting rail.

## Dimensions



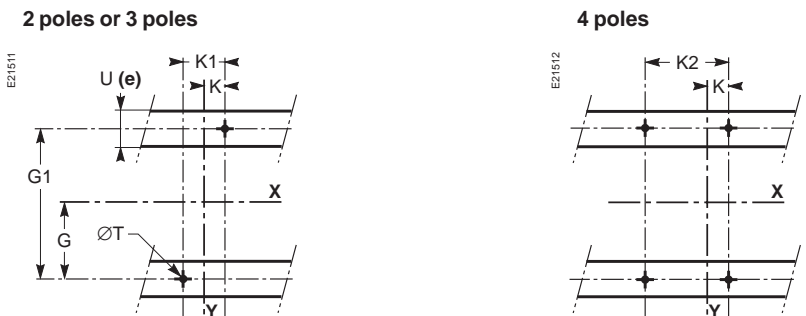
## Mounting

### On backplate

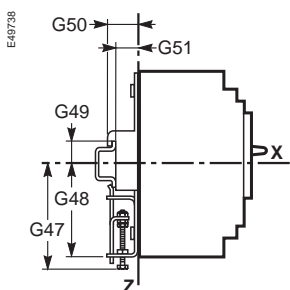


(d) for rear connection only. For two-pole circuit breakers, the centre hole is not necessary.

### On rails

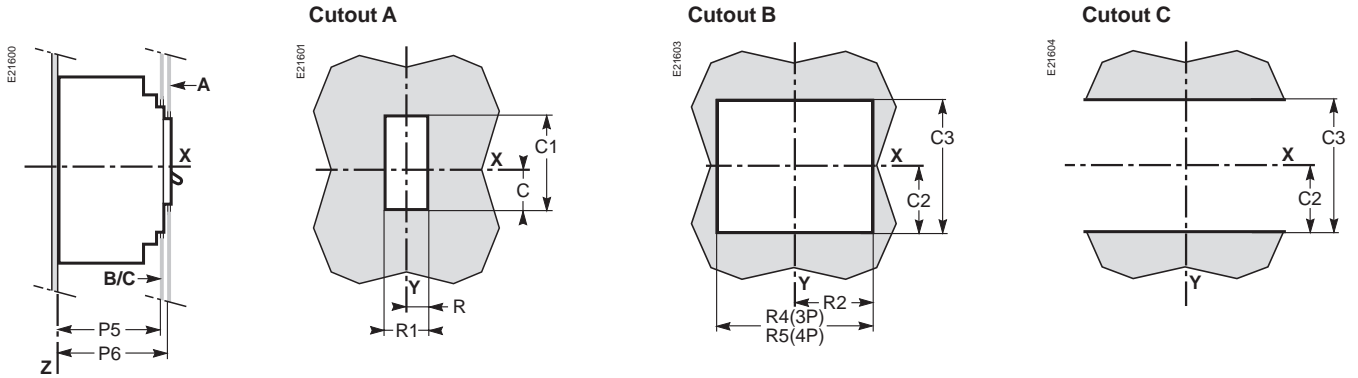


### On DIN rail with adapter plate



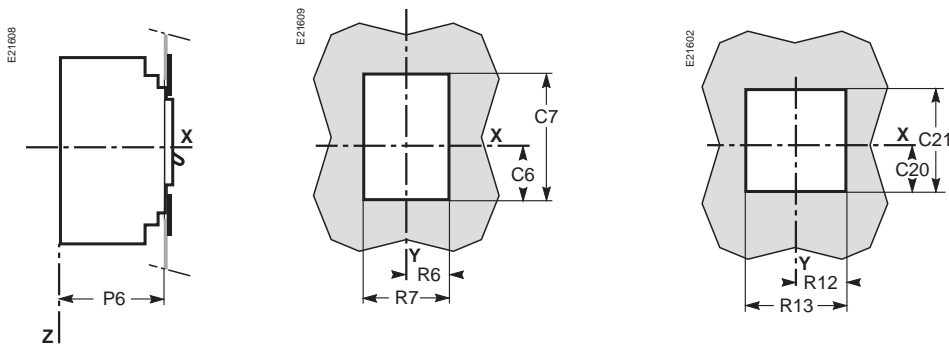
## Front-panel cutouts

### Fixed or plug-in circuit breaker



### With escutcheon

### With toggle cover



### Dimensions (mm)

Type	C	C1	C2	C3	G6	G7	C20	C21	G	G1	G4
NS100/160/250	29	76	54	108	43	104	34	86	62.5	125	70
NS400/630	41.5	116	92.5	184	56.5	146	46.5	126	100	200	113.5

Type	G5	G47	G48	G49	G50	G51	H	H1	H2	H3	H4
NS100/160/250	140	95	75	13.5	23	17.5	80.5	161	94	188	160.5
NS400/630	227						127.5	255	142.5	285	240

Type	H5	H6	H7	K	K1	K2	L	L1	L2	P1	P2
NS100/160/250	321	178.5	357	17.5	35	70	52.5	105	140	81	86
NS400/630	480	237	474	22.5	45	90	70	140	185	95.5	110

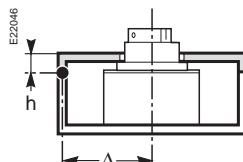
Type	P4	P5	P6	R	R1	R2	R4	R5	R6	R7	R12
NS100/160/250	111 <sup>(1)</sup>	83	88	14.5	29	54	108	143	29	58	43
NS400/630	168	107	112	31.5	63	71.5	143	188	46.5	93	63

(1) : P4 = 126 mm for Compact NS250N/H/L.

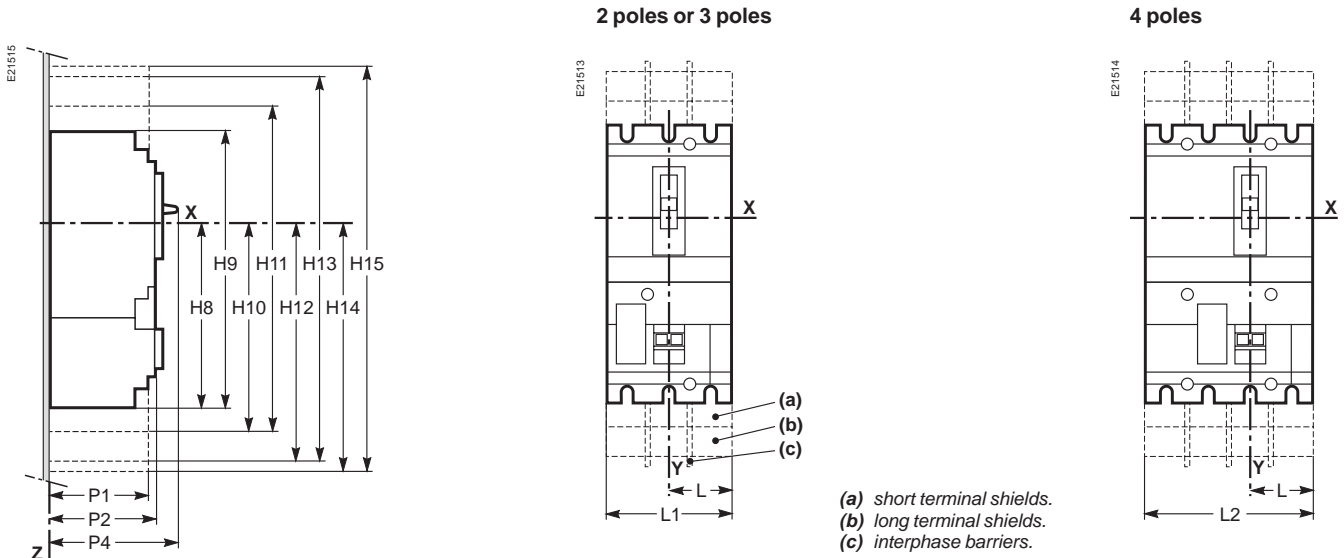
Type	R13	ØT	ØT4	U
NS100/160/250	86	6	22	≤ 32
NS400/630	126	6	32	≤ 32

### Note.

Door cutout dimensions are given for a device position in the enclosure where  $\Delta \geq 100 + (h \times 5)$  with respect to the door hinge.



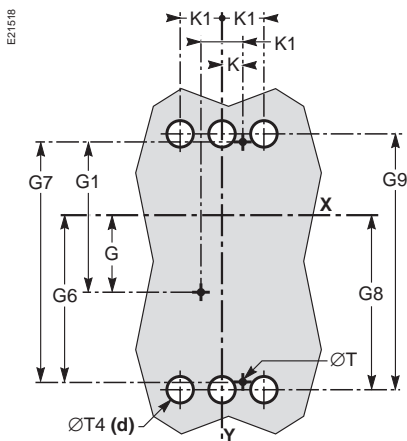
## Dimensions



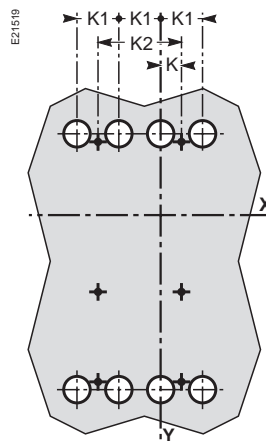
## Mounting

### On backplate

#### 2 poles or 3 poles

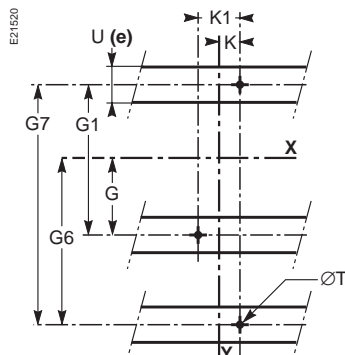


#### 4 poles

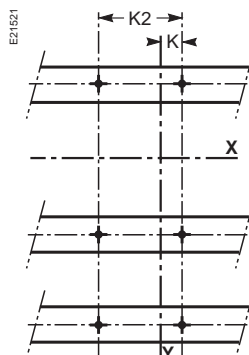


### On rails

#### 2 poles or 3 poles



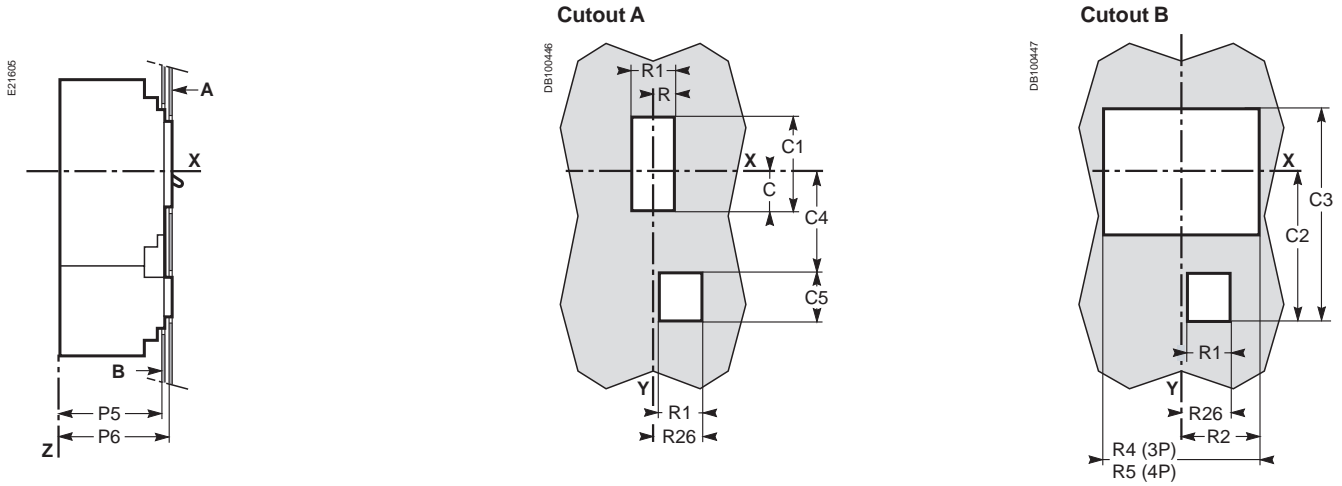
#### 4 poles



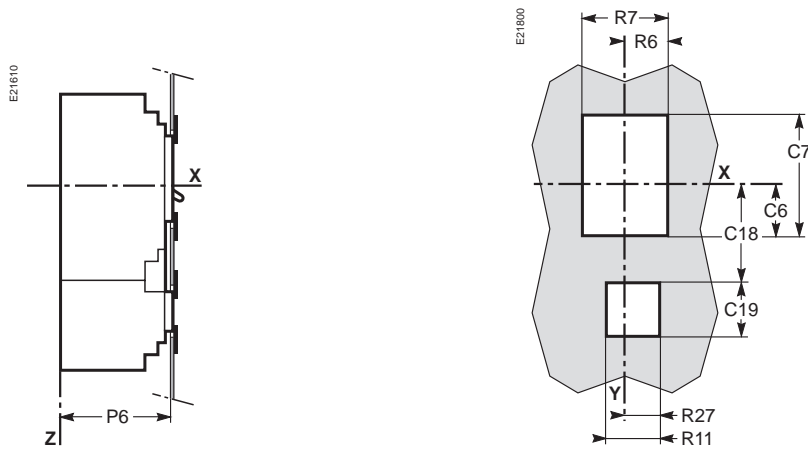


## Front-panel cutouts

### Fixed or plug-in circuit breaker



### With escutcheons



#### Dimensions (mm)

Type	C	C1	C2	C3	C4	C5	C6	C7	C18	C19	C20	C21	G	G1	G6	G7	G8	G9
NS100/160/250	29	76	130	184	86	37	43	104	71	68	34	86	62.5	125	137.5	200	145	215
NS400/630	41.5	116	192	276	147.5	37	56.5	146	132	68	46.5	126	100	200	200	300	213.5	327

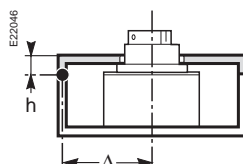
Type	H8	H9	H10	H11	H12	H13	H14	H15	K	K1	K2	L	L1	L2	P1	P2	P4	P5
NS100/160/250	155.5	236	169	263	235.5	396	253.5	432	17.5	35	70	52.5	105	140	81	86	111 <sup>(1)</sup>	83
NS400/630	227.5	355	242.5	385	340	580	337	574	22.5	45	90	70	140	185	95.5	110	168	107

(1) P4 = 126 mm for Compact NS250N/H/L.

Type	P6	R	R1	R2	R4	R5	R6	R7	R11	R12	R13	R26	R27	ØT	ØT4	U
NS100/160/250	88	14.5	29	54	108	143	29	58	58	43	86	14.5	29	6	22	≤ 32
NS400/630	112	31.5	63	71.5	143	188	46.5	93	58	63	126	32	47	6	32	≤ 32

#### Note.

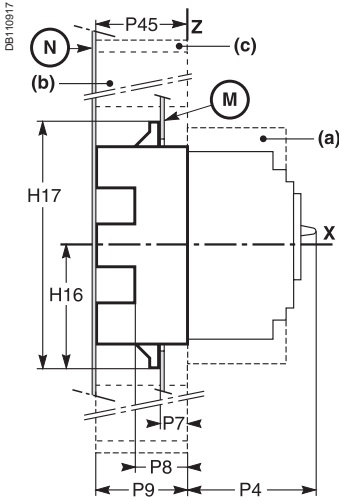
Door cutout dimensions are given for a device position in the enclosure where  $\Delta \geq 100 + (h \times 5)$  with respect to the door hinge.



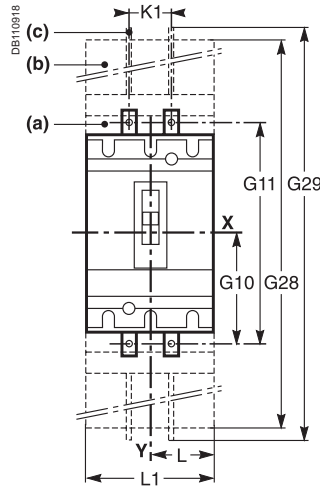
# Compact NS100 to 630 (plug-in and withdrawable versions)

## Dimensions

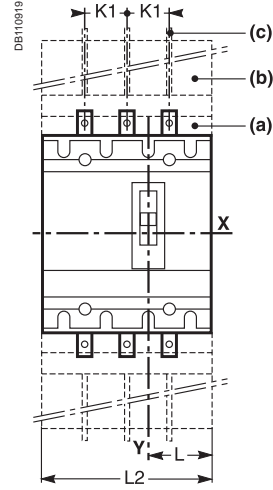
### Plug-in base



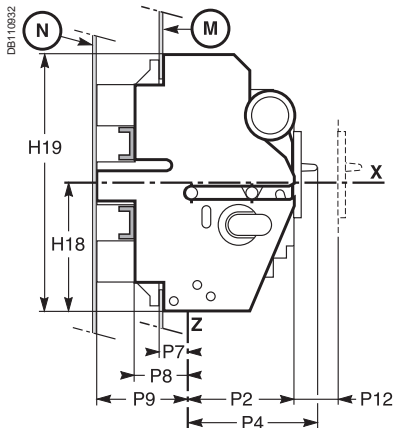
### 2 poles or 3 poles



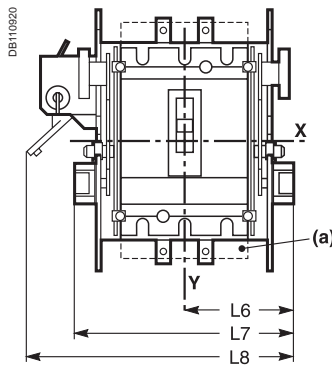
### 4 poles



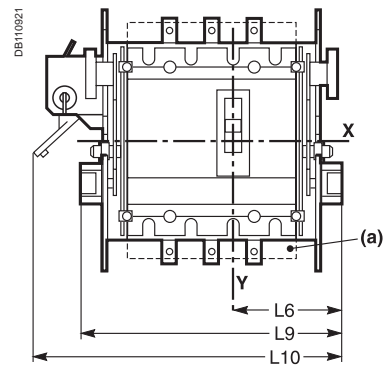
### Chassis



### 2 poles or 3 poles

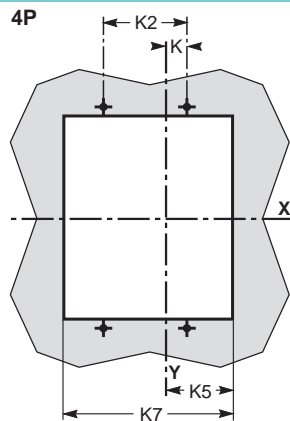
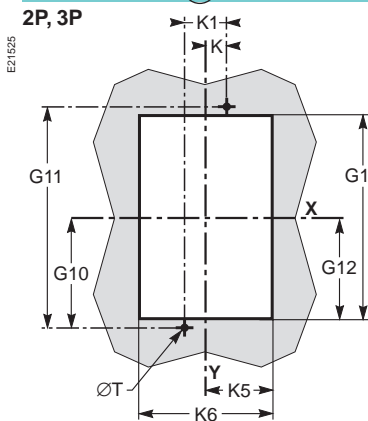


### 4 poles

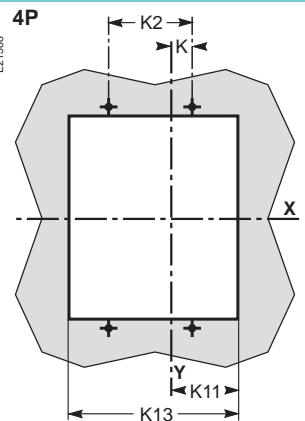
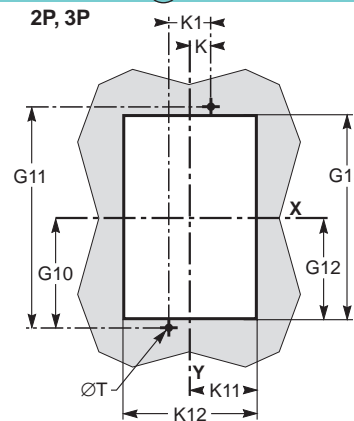


## Mounting

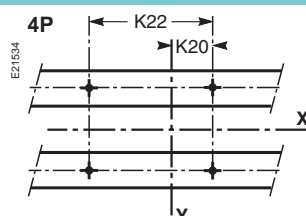
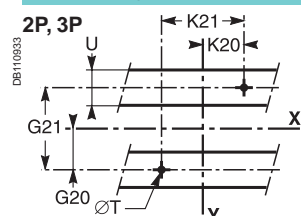
### Through panel (M) (plug-in base)



### Through panel (M) (chassis)



### On rails (plug-in base or chassis)



- (a) Short terminal shields for circuit breaker are mandatory.
- (b) Long terminal shields for plug-in base.
- (c) Interphase barriers.

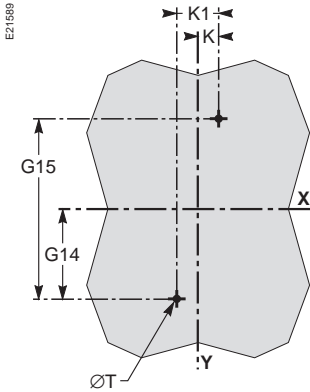
**Note.**

Door cutout dimensions are given for a device position in the enclosure where  $\Delta \geq 100 + (h \times 5)$  with respect to the door hinge.

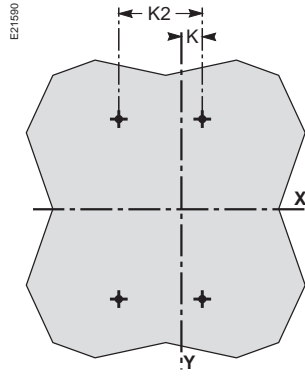
**On backplate (N) (plug-in base or chassis)**

**Front connection** (insulating screen is mandatory between the backplate and the base, supplied with the base)

**2P, 3P**

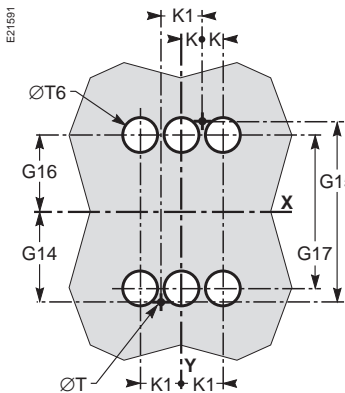


**4P**

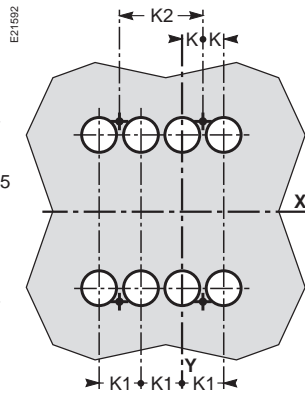


**Interior rear connection**

**2P, 3P**

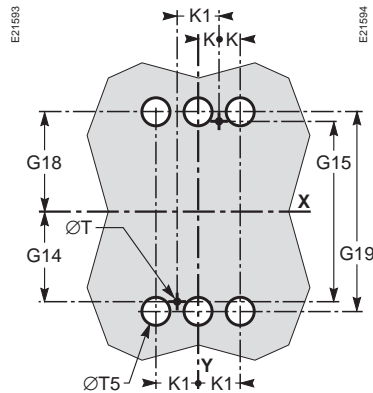


**4P**

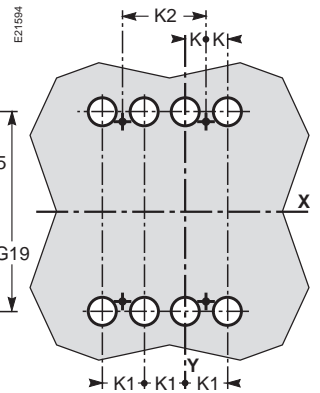


**Exterior rear connection**

**2P, 3P**



**4P**

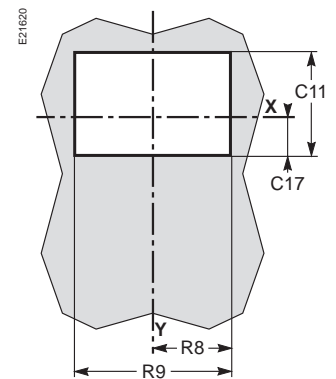
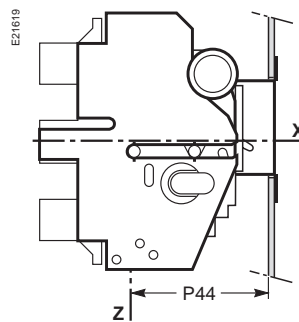


**Front-panel cutouts**

**Plug-in base**

See fixed or plug-in circuit breaker, [page C-7](#).

**Chassis with protection collar and escutcheons**



**Dimensions (mm)**

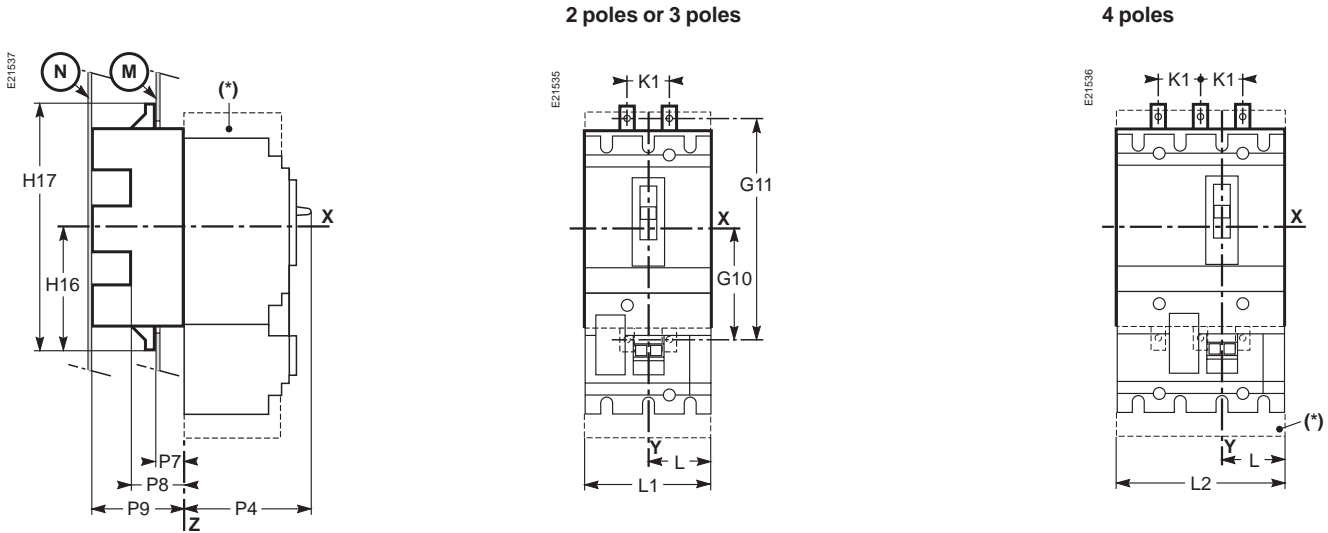
Type	C11	C17	G10	G11	G12	G13	G14	G15	G16	G17	G18	G19	G20	G21	G22	G23	G24
NS100/160/250	103	42.5	95	190	87	174	77.5	155	66	132	82	164	37.5	75	111	222	190
NS400/630	155	56	150	300	137	274	125	250	101	202	126	252	75	150	170.5	341	283.5
Type	G25	G26	G27	G28	G29	H16	H17	H18	H19	K	K1	K2	K5	K6	K7	K11	K12
NS100/160/250	380	208	416	380.6	416	102.5	205	103.5	210	17.5	35	70	54.5	109	144	74	148
NS400/630	567	318.5	637	566.1	637	157.5	315	140	280	22.5	45	90	71.5	143	188	91.5	183
Type	K13	K20	K21	K22	L	L1	L2	L6	L7	L8	L9	L10	P2	P4	P7	P8	P9
NS100/160/250	183	35	70	105	52.5	105	140	92.5	185	216	220	251	86	111 (1)	27	45	75
NS400/630	228	50	100	145	70	140	185	110	220	250	265	295	110	168	27	45	100
Type	P10	P12	P44	P45	R8	R9	U	ØT	ØT5	ØT6							
NS100/160/250	64	32	123	76.2	74	148	≤ 32	6	24	30							
NS400/630	86	32	147	99.3	90	180	≤ 32	6	33	33							

(1) P4 = 126 mm for Compact NS250N/H/L.

# Vigicompact NS100 to 630 (plug-in and withdrawable versions)

## Dimensions

### Plug-in base



### Chassis

See withdrawable Compact, [page C-10](#).

## Mounting

### Through panel (M) (plug-in base)

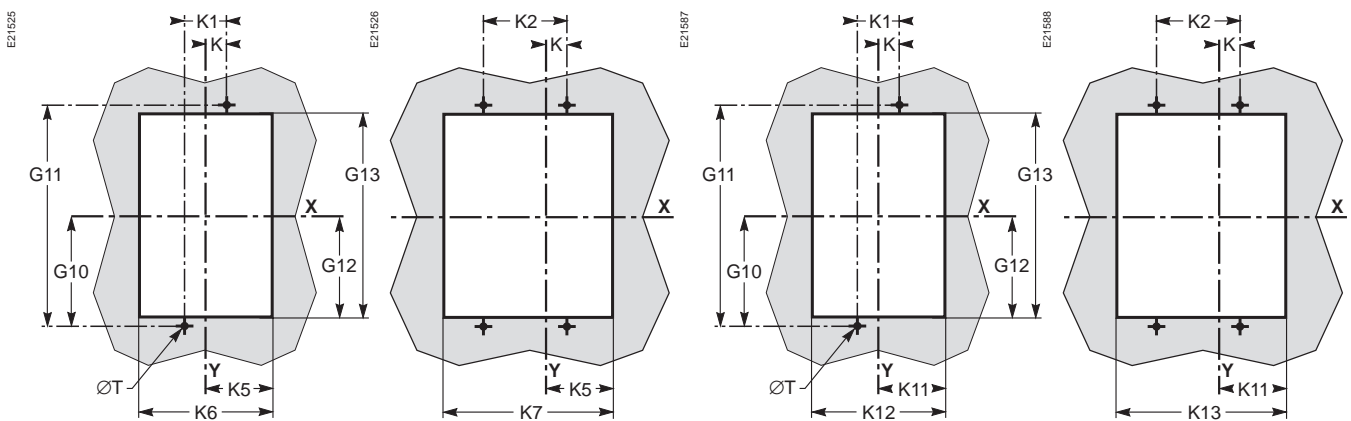
### Through panel (M) (chassis)

2P, 3P

4P

2P, 3P

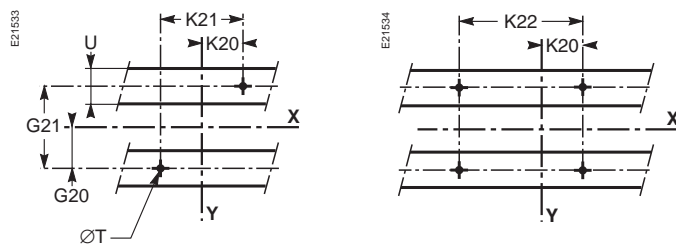
4P



### On rails (plug-in base or chassis)

2P, 3P

4P



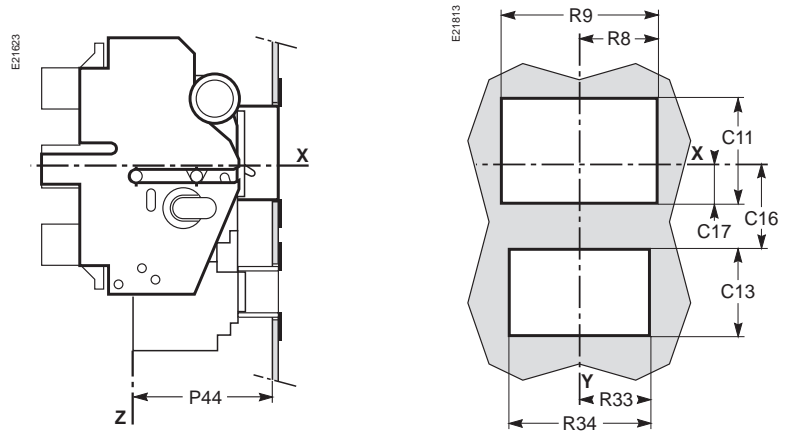
(\*) Short terminal shields are mandatory.

## Front-panel cutouts

### Plug-in base

### Chassis with protection collar and escutcheons

See fixed or plug-in circuit breaker, page C-9.



#### Dimensions (mm)

Type	C11	C13	C16	C17	G10	G11	G12	G13	G20	G21	H16
NS100/160/250	103	84	55	42.5	95	190	87	174	37.5	75	102.5
NS400/630	155	84	116.5	56	150	300	137	274	75	150	157.5

Type	H17	K	K1	K2	K5	K6	K7	K11	K12	K13	K20
NS100/160/250	205	17.5	35	70	54.5	109	144	74	148	183	35
NS400/630	315	22.5	45	90	71.5	143	188	91.5	183	228	50

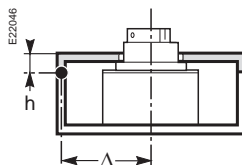
Type	K21	K22	L	L1	L2	P4	P7	P8	P9	P44	R8
NS100/160/250	70	105	52.5	105	140	111 <sup>(1)</sup>	27	45	75	123	74
NS400/630	100	145	70	140	185	168	27	45	100	147	90

<sup>(1)</sup> P4 = 126 mm for Compact NS250N/H/L.

Type	R9	R33	R34	ØT	U
NS100/160/250	148	74	148	6	≤ 32
NS400/630	180	91.5	148	6	≤ 32

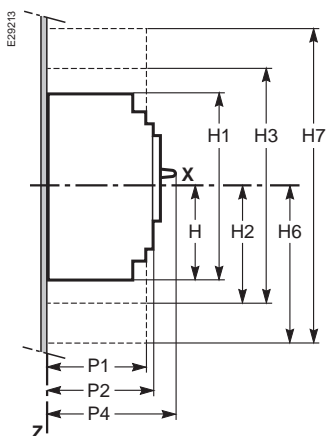
#### Note.

Door cutout dimensions are given for a device position in the enclosure where  $\Delta \geq 100 + (h \times 5)$  with respect to the door hinge.

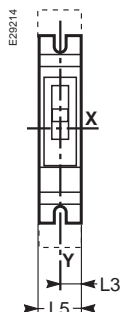


# Compact NS100 to 250 (single-pole and two-pole versions)

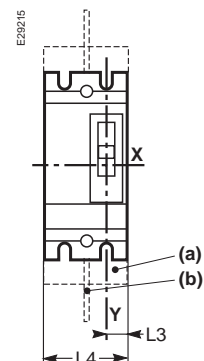
## Dimensions



1 pole



2 poles

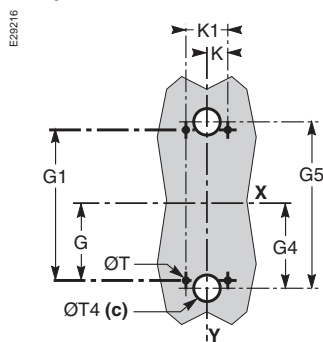


(a) short terminal shields  
(b) interphase barriers

## Mouting

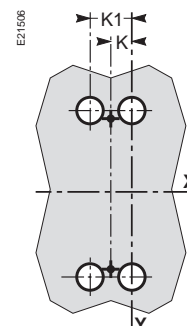
### On backplate

1 pole



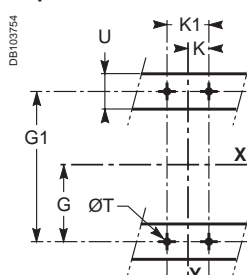
(c) for rear connection only

2 poles

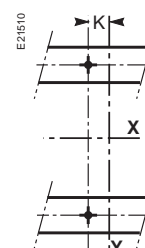


### On rails

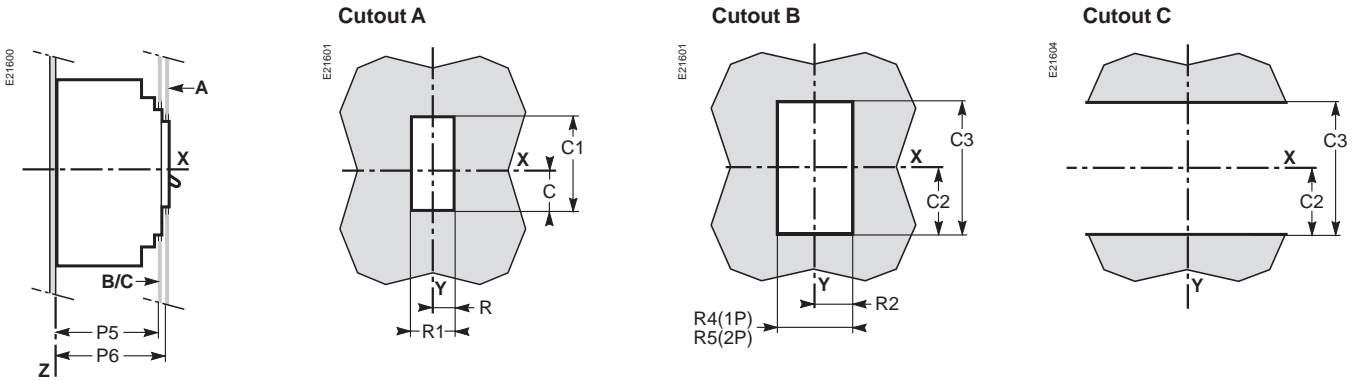
1 pole



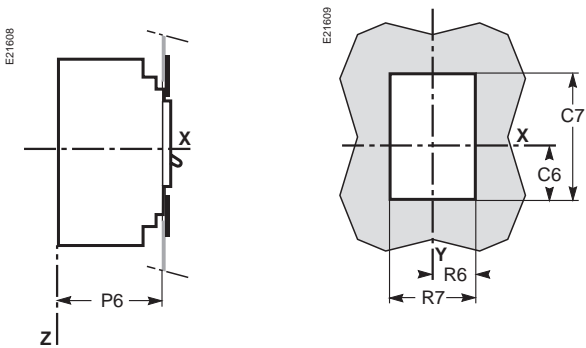
2 poles



## Front-panel cutout



### With escutcheon

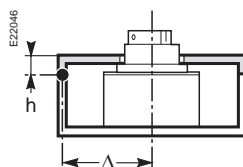


### Dimensions (mm)

Type	C	C1	C2	C3	C6	C7	G	G1	G4	G5	H
NS100/160/250	29	76	54	108	43	104	62.5	125	70	140	80.5
Type	H1	H2	H3	H4	H6	H7	K	K1	L3	L4	L5
NS100/160/250	161	94	188	160.5	178.5	357	17.5	35	17.5	70	35
Type	P1	P2	P4	P5	P6	R	R1	R2	R4	R5	R6
NS100/160/250	81	86	111	83	88	14.5	29	19	38	73	29
Type	R7	ØT	ØT4	U							
NS100/160/250	58	6	22	≤ 32							

### Note.

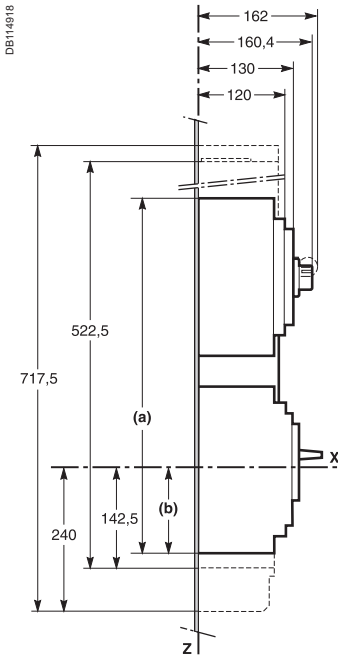
Door cutout dimensions are given for a device position in the enclosure where  $\Delta \geq 100 + (h \times 5)$  with respect to the door hinge.







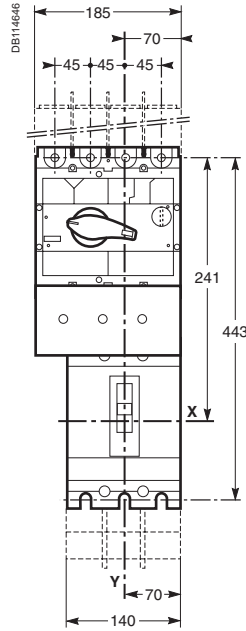
## Fixed Compact NS400 to 630 with Visu function Interpact INV400 to 630



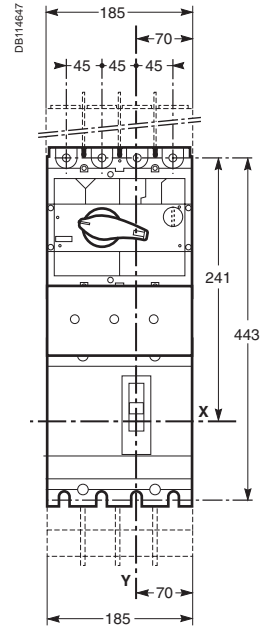
**(a)**  
 492.5 for front connection  
 493.5 for rear connection  
 512.5 with right-angle terminal extensions  
 536.5 with edgewise terminal extensions  
 532.5 with spreaders  
 525 with 2-cable connectors.

**(b)**  
 127.5 for front connection  
 128.5 for rear connection  
 147.5 with right-angle terminal extensions  
 171.5 with edgewise terminal extensions  
 167.5 with spreaders  
 160 with 2-cable connectors.

### 3 poles

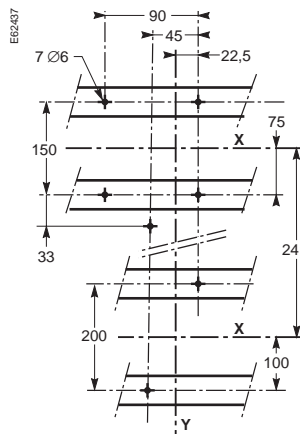


### 4 poles

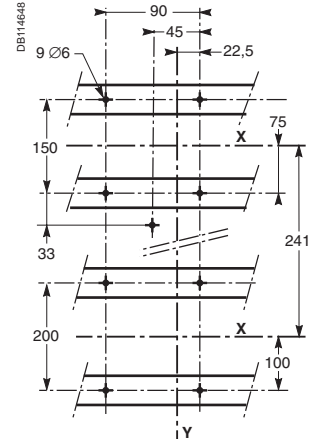


## Mounting on rails and backplate

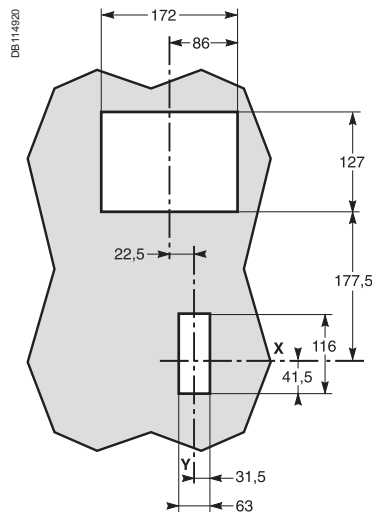
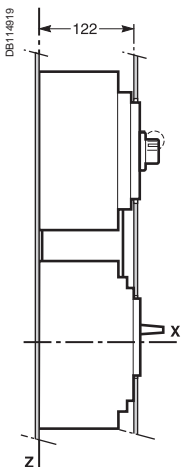
### 3 poles



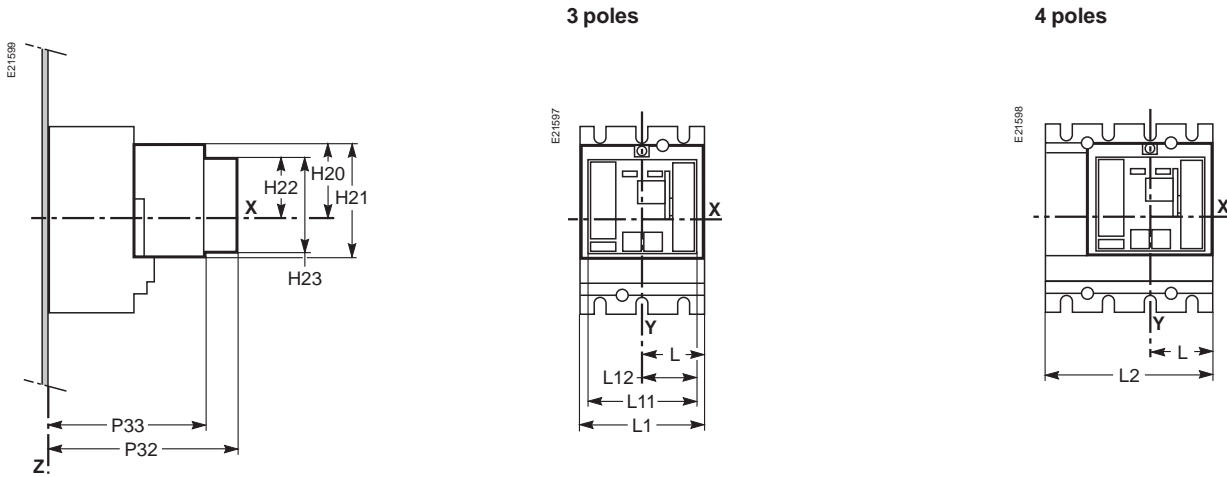
### 4 poles



## Front-panel cutout

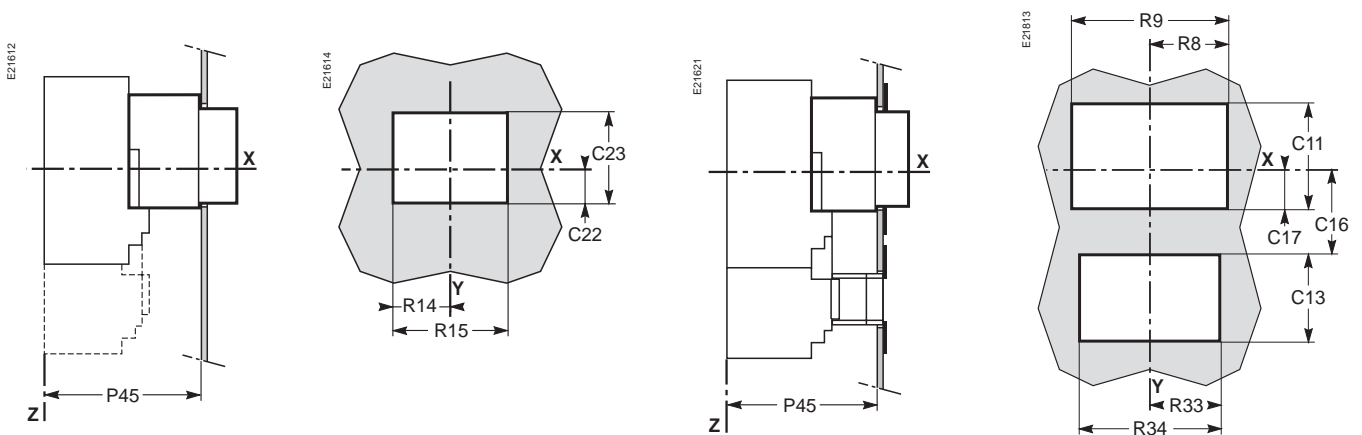


## Dimensions



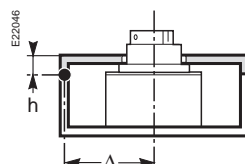
## Front-panel cutouts

With IP40, IK07 escutcheons and protection collar  
for Vigi module



**Note.**

Door cutout dimensions are given for a device position in the enclosure where  $\Delta \geq 100 + (h \times 5)$  with respect to the door hinge.



---

**Dimensions (mm)**

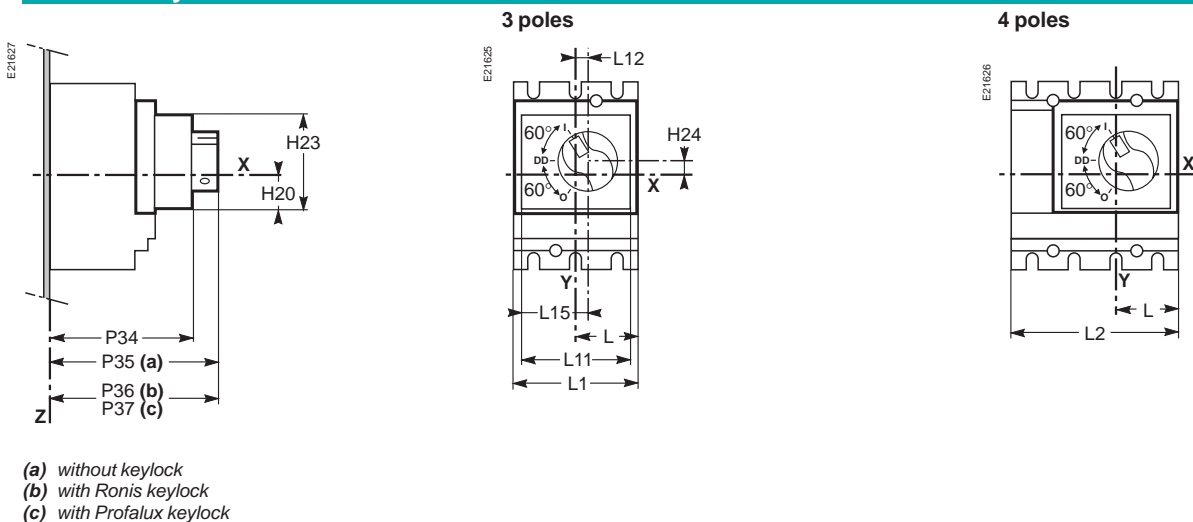
Type	C11	C13	C16	C17	C22	C23	H20	H21	H22	H23	L	L1
NS100/160/250	103	84	56	42.5	29	76	62.5	97	45.5	73	52.5	105
NS400/630	155	84	116.5	56	41.5	126	100	152	83	123	70	140

Type	L2	L11	L12	P32	P33	P45	R8	R9	R14	R15	R33	R34
NS100/160/250	140	91	45.5	178	143	145	74	148	48.5	97	74	148
NS400/630	185	123	61.5	250	215	217	90	180	64.5	129	91.5	148

# Rotary handle for Compact NS100 to 630

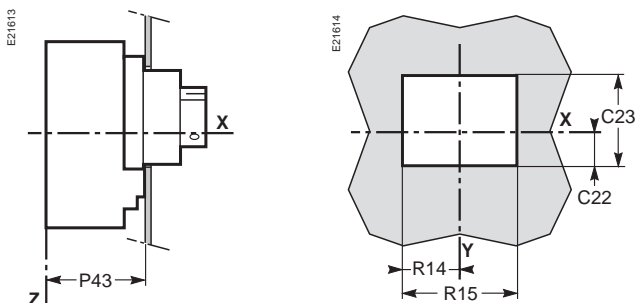
## Direct rotary handle



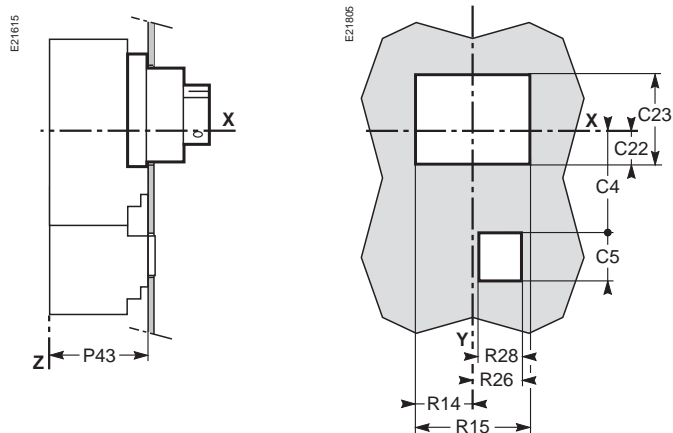
## Front-panel cutouts

### Fixed or plug-in circuit breaker

#### Compact

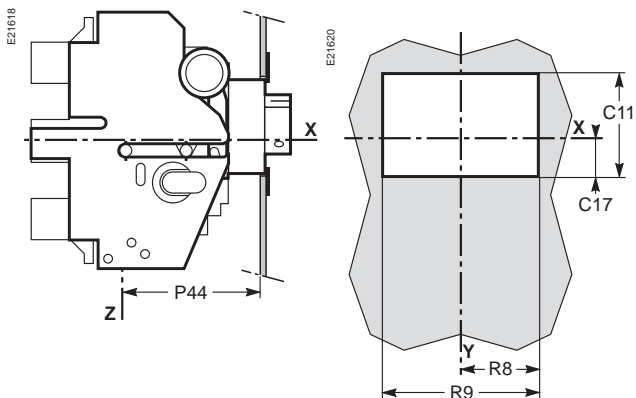


#### Vigicomact

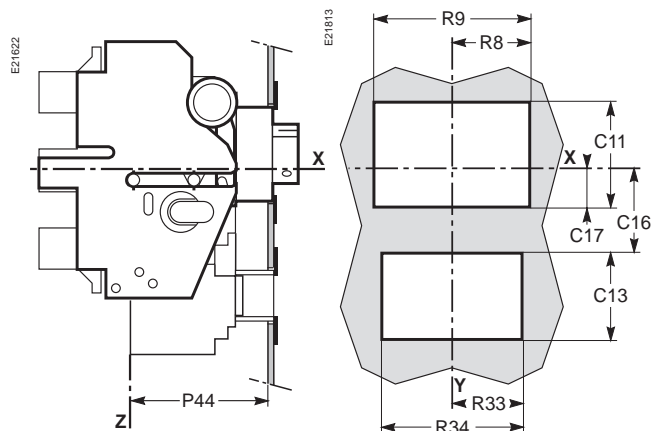


### Withdrawable circuit breaker

#### Compact



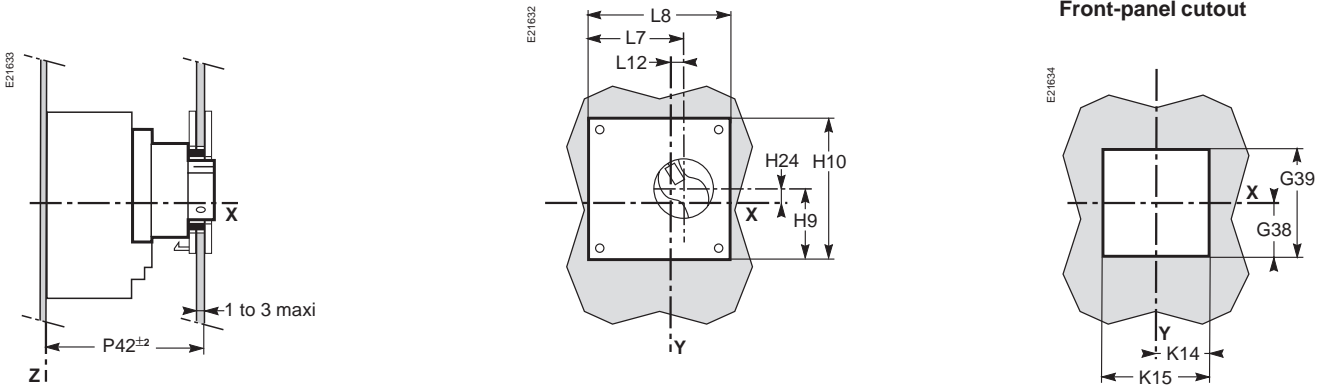
#### Vigicomact



An escutcheon is mandatory

Protection collar for Vigi module is mandatory.  
Escutcheons are mandatory for rotary handles and Vigi protection collars.

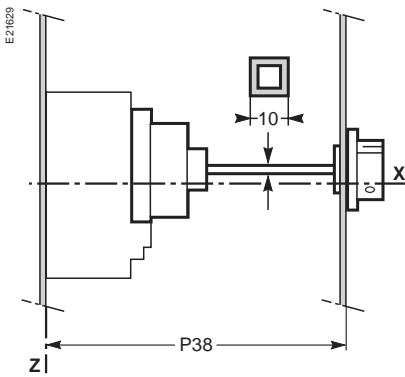
## MCC direct rotary handle



## Extended rotary handle

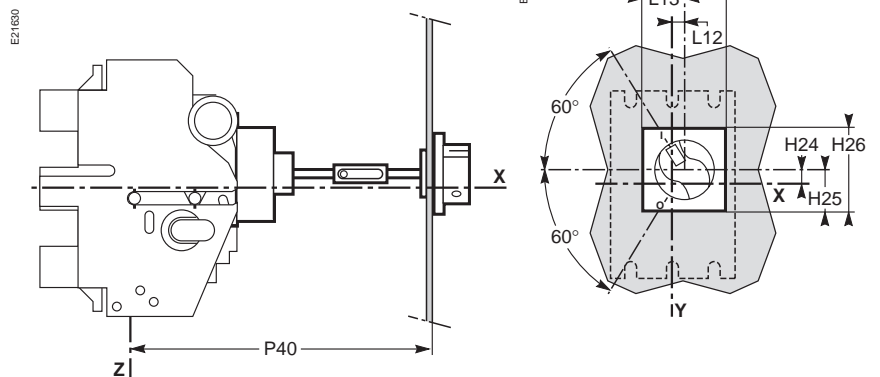
### Fixed or plug-in circuit breaker

Cut shaft at length:  
P38-126 mm (NS100 to 250)  
P38-150 mm (NS400 to 630)

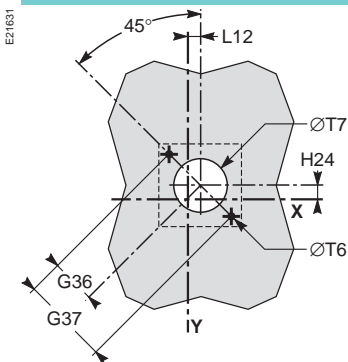


### Withdrawable circuit breaker

Cut shaft at length:  
P40-122 mm (NS100 to 250)  
P40-150 mm (NS400 to 630)



### Front-panel cutout



### Dimensions (mm)

Type	C4	C5	C11	C13	C16	C17	C22	C23	G36	G37	G38	G39	H9	H10	H20	H23	H24
NS100/160/250	86	37	103	84	55	42,5	29	76	36	72	41	100	60	120	28	73	9
NS400/630N/H/L	147.5	37	155	84	116.5	56	41.5	126	36	72	51	145	83	160	40	123	24.5

Type	H25	H26	K14	K15	L	L1	L2	L7	L8	L11	L12	L13	L14	L15	P34	P35	P36
NS100/160/250	37.5	75	50	100	52.5	105	140	69	120	91	9.25	37.5	75	55	121	155	156
NS400/630N/H/L	37.5	75	72.5	145	70	140	185	85	160	123	5	37.5	75	66.5	145	179	180

Type	P37	P38 (1)	P40 (1)	P42	P43	P44	R1	R8	R9	R14	R15	R26	R33	R34	ØT6	ØT7
NS100/160/250	164	≥ 185	≥ 248	125	89	123	29	74	148	48.5	97	14.5	74	148	4.2	50
NS400/630N/H/L	188	≥ 209	≥ 272	149	112	147	29	90	180	64.5	129	32	91.5	148	4.2	50

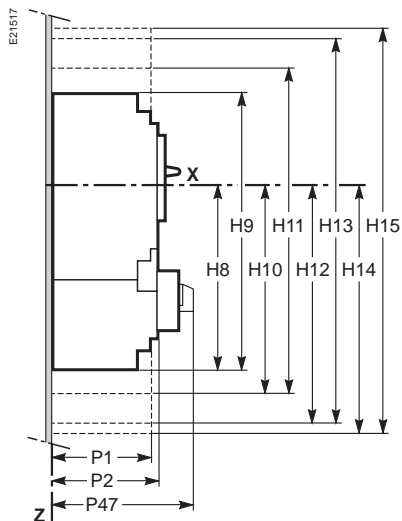
(1) ≤ 600 mm.

### Note.

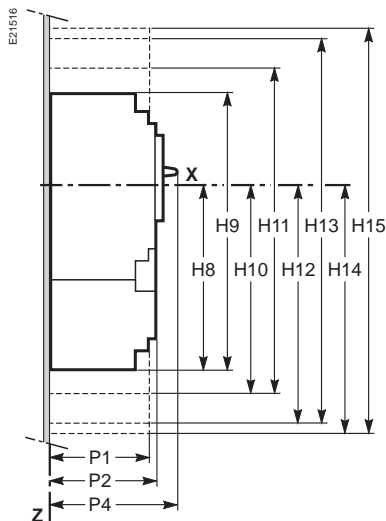
Door cutout dimensions are given for a device position in the enclosure where  $\Delta \geq 100 + (h \times 5)$  with respect to the door hinge.

## Dimensions

Circuit breaker with ammeter module



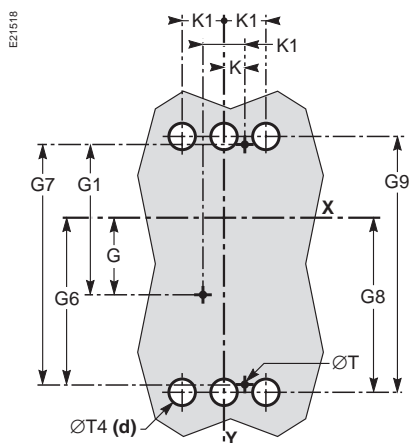
Circuit breaker with current-transformer module



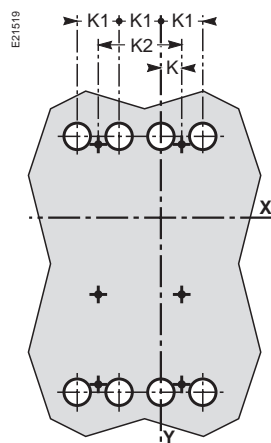
## Mounting

### On backplate

2 poles or 3 poles



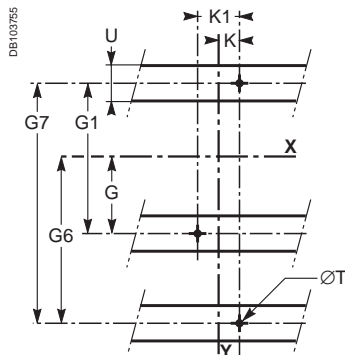
4 poles



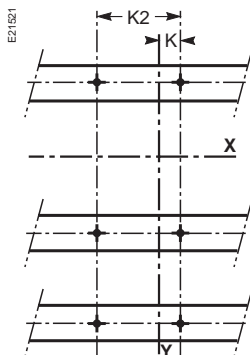
(d) for rear connection only. For two-pole circuit breakers, the centre hole is not necessary.

### On rails

2 poles or 3 poles

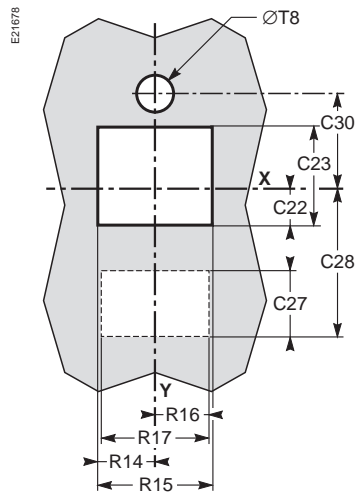
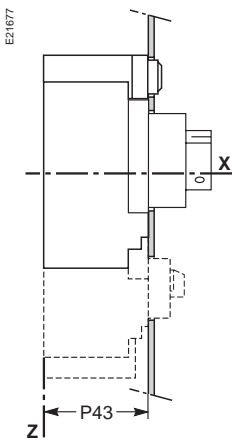
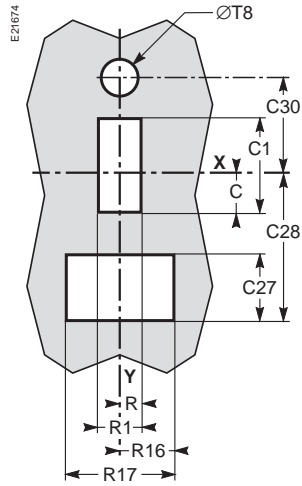
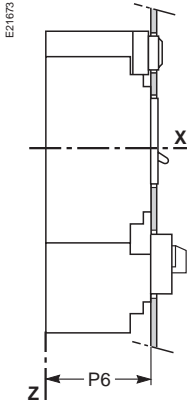


4 poles



## Front-panel cutout

### Circuit breaker with ammeter module and voltage-presence indicator



#### Dimensions (mm)

Type	C	C1	C22	C23	C27	C28	C29	C30	G	G1	G6	G7	G8	G9	H8	H9	H10
NS100/160/250	28	76	28	76	56.5	124	30	78.5	62.5	125	137.5	200	145	215	155.5	236	169
NS400/630N/H/L	41.5	116	41.5	126	56.5	185.5	30	122	100	200	200	300	213.5	327	227.5	355	242.5

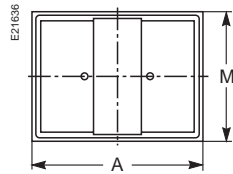
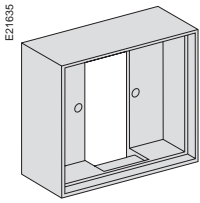
Type	H11	H12	H13	H14	H15	K	K1	K2	P1	P2	P4	P6	P43	P47	P48	R	R1
NS100/160/250	263	235.5	396	253.5	432	17.5	35	70	81	86	111 <sup>(1)</sup>	88	89	137	128	14.5	29
NS400/630N/H/L	385	340	580	337	574	22.5	45	90	95.5	110	168	112	112	162	154	31.5	63

Type	R14	R15	R16	R17	ØT	ØT4	ØT8	U
NS100/160/250	48.5	97	46.5	93	6	22	31	≤32
NS400/630N/H/L	64.5	129	64.5	93	6	32	31	≤32

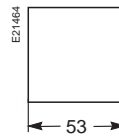
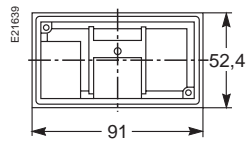
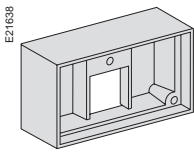
(1) P4 = 126 mm for Compact NS 250N/H/L.

## Protection collar

### Toggle protection collar



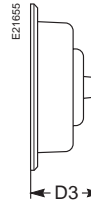
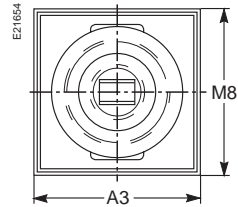
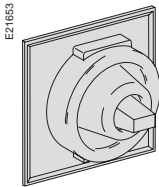
### Vigi-module protection collar



Circuit breaker with  
toggle or rotary handle

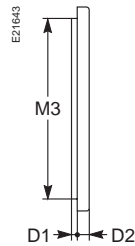
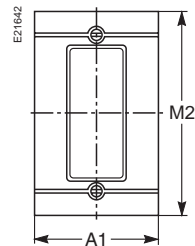
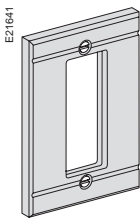
Circuit breaker with  
motor-mechanism  
module

## Toggle cover

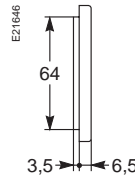
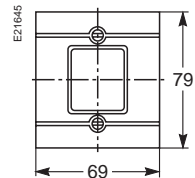
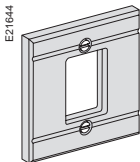


## Front-panel escutcheons

### For toggle



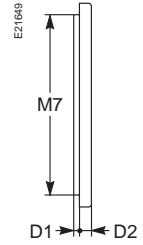
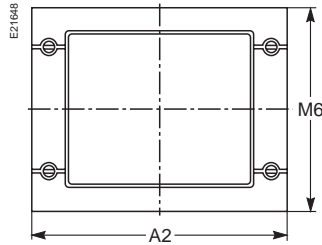
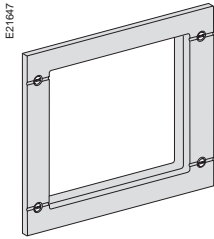
### For Vigi module



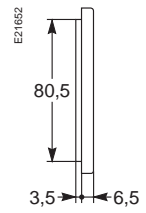
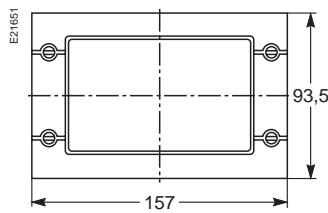
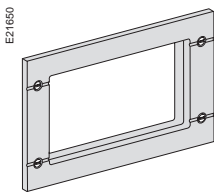


## Front-panel escutcheons

For protection collar, motor mechanism or rotary handle



For Vigi module with protection collar or ammeter module



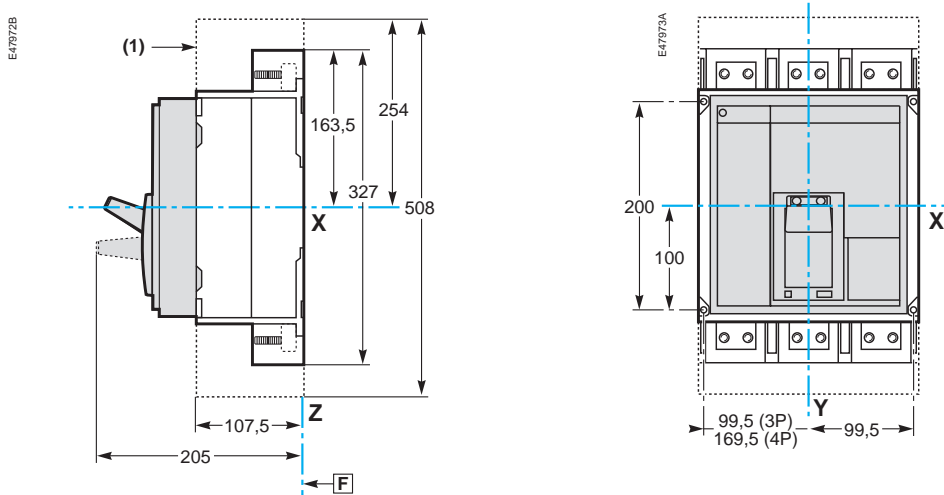
### Dimensions (mm)

Type	A	A1	A2	A3	D	D1	D2	D3	M	M2	M3	M6	M7	M8
NS100/160/250	91	69	157	94	35	3.5	6.5	40	73	115	102	114	101	94
NS400/630	123	102	189	35	35	3.5	6.5	60	123	155	142	164	151	134

# Compact NS630b to 1600 (fixed version) Dimensions

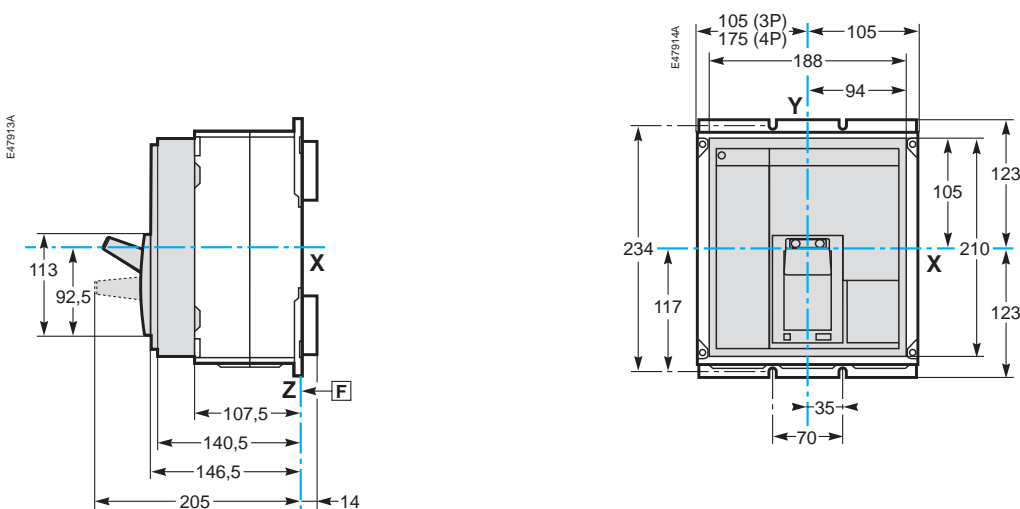
## Manual control

### Front connection (N, H, L)



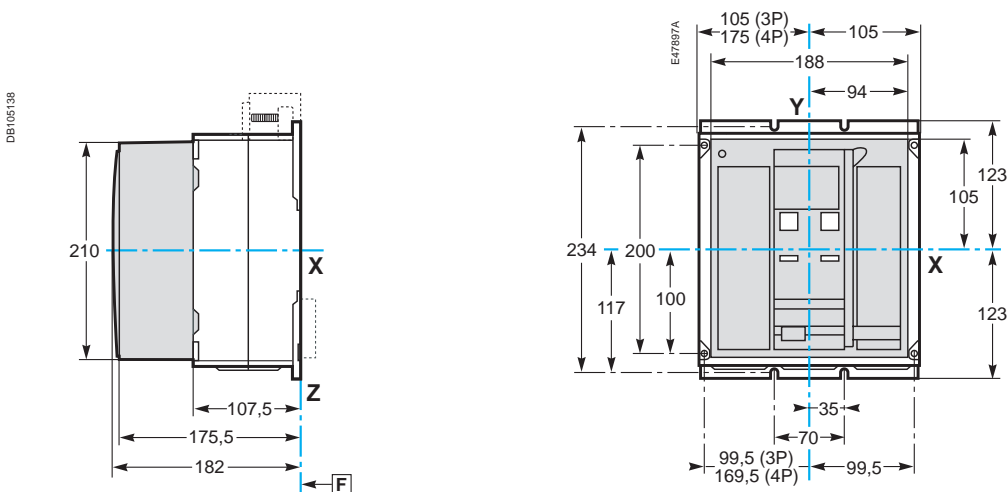
(1) terminal shields are optional

### Rear connection (N, H, L, LB)



## Electrical control

### Front and rear connection (N, H, L, LB)



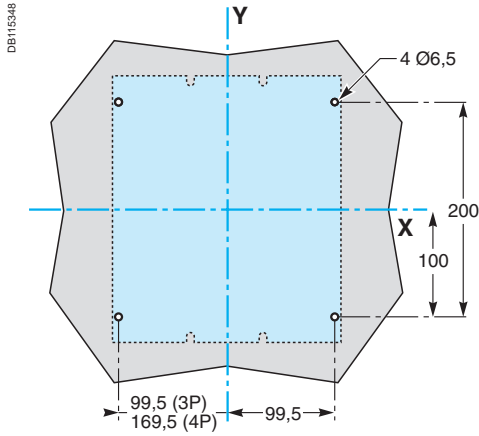
F : Datum

**Note.**  
Dimensions for front and rear connection on electrically operated devices are identical to those for manually operated devices.

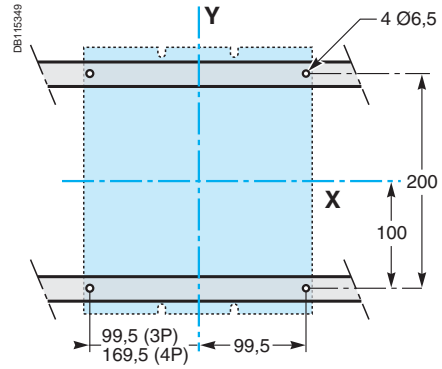
# Mounting

## Front connection

### On backplate



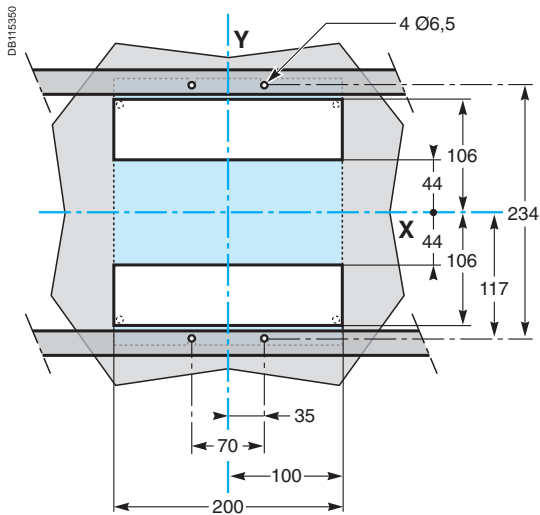
### On rails



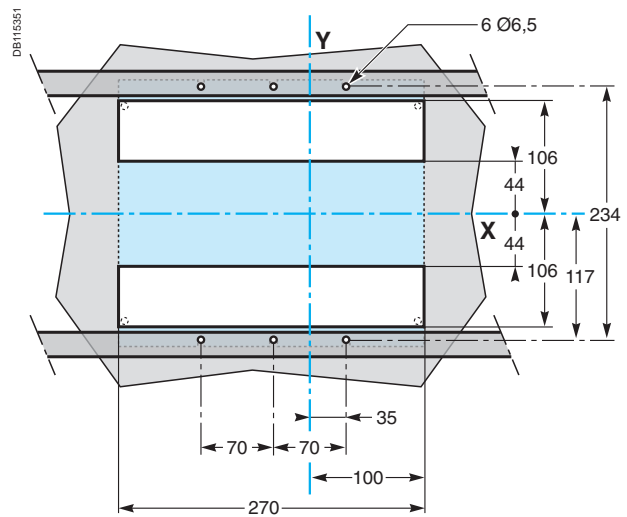
## Rear connection

### On backplate or rails

#### 3P



#### 4P



#### Note.

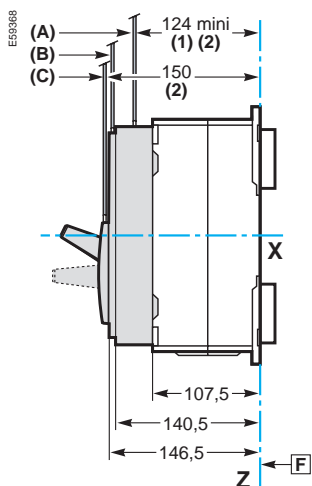
Mounting parameters for electrically operated devices are identical to those for manually operated devices.

X and Y are the symmetry planes for a 3-pole device

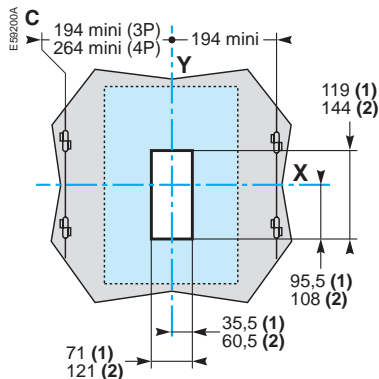
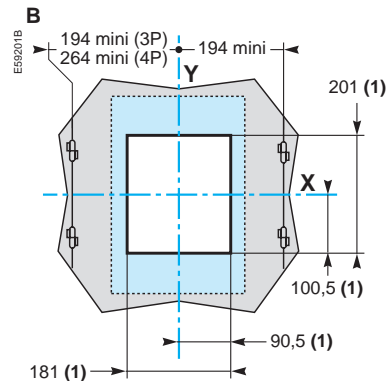
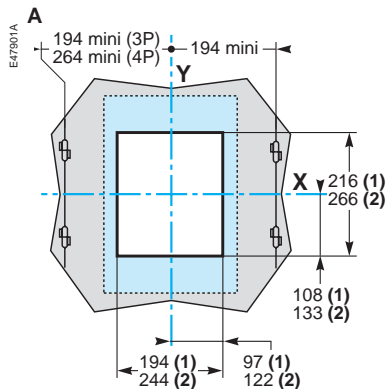
Z is the back plane of the device.

# Compact NS630b to 1600 (fixed version) (cont.) Front-panel cutouts

## Toggle control

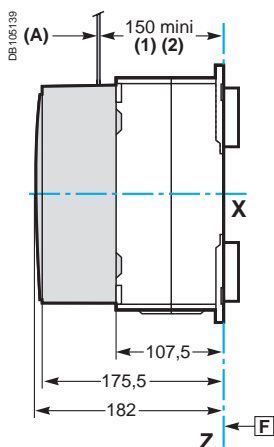


### Door cutout

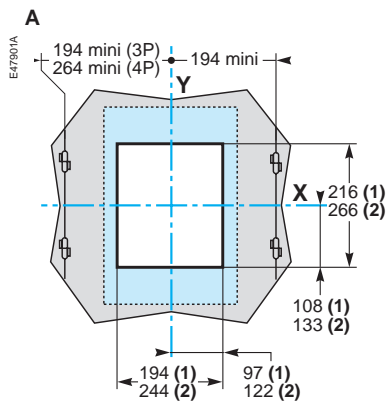


**F** : Datum.  
(1) Without escutcheon.  
(2) With escutcheon.

## Electrical control



### Door cutout

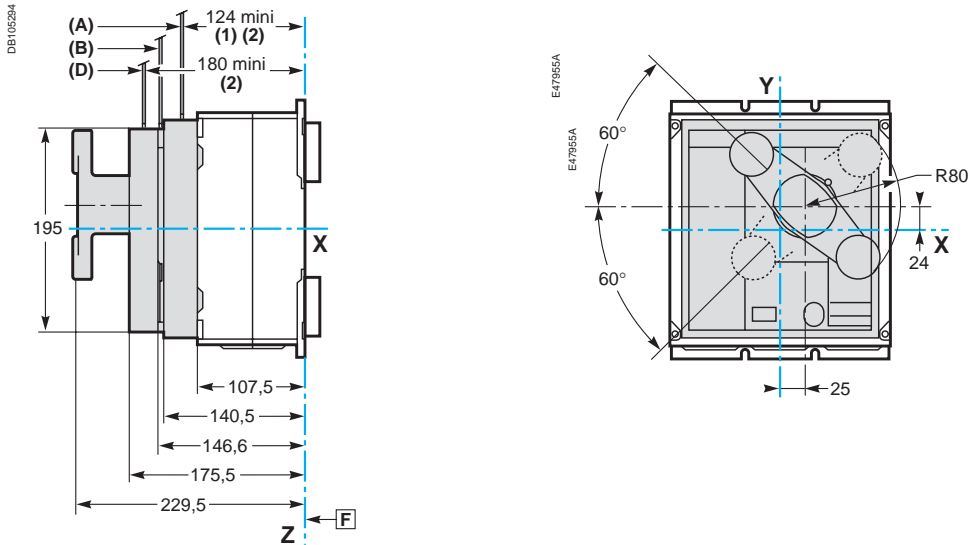


**F** : Datum.  
(1) Without escutcheon.  
(2) With escutcheon.

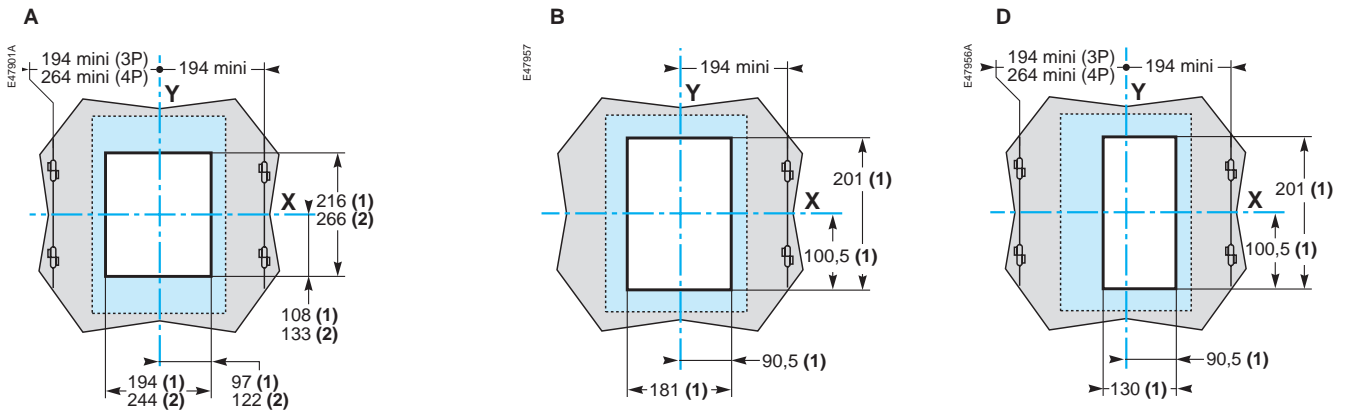
# Rotary handle

## Direct rotary handle

### Dimensions



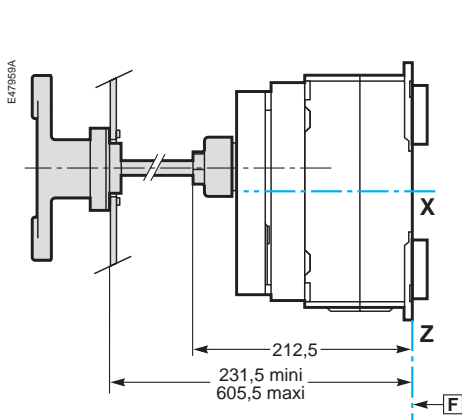
### Door cutout



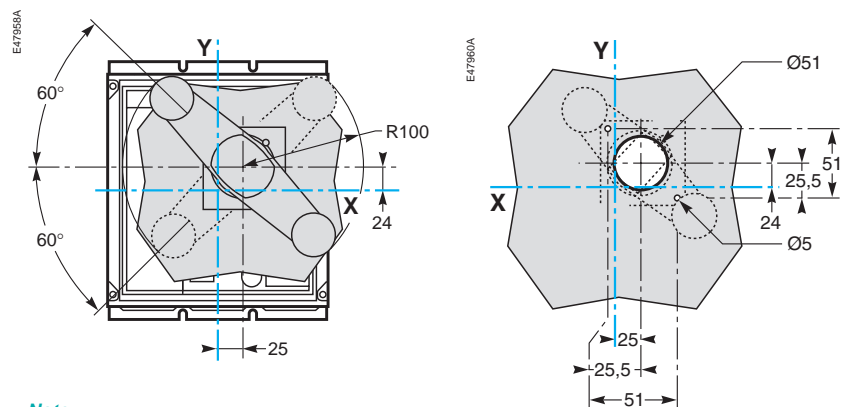
(1) Without escutcheon.  
(2) With escutcheon.

## Extended rotary handle

### Dimensions



### Door cutout



**Note.**  
X and Y are the symmetry planes for a 3-pole device  
Z is the back plane of the device.

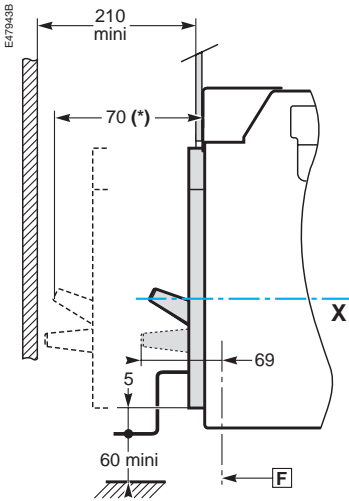
**F** : Datum

# Compact NS630b to 1600 (withdrawable version)

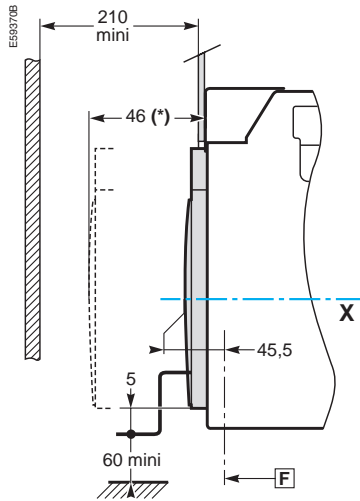
Dimensions, mounting and cutouts

## Dimensions

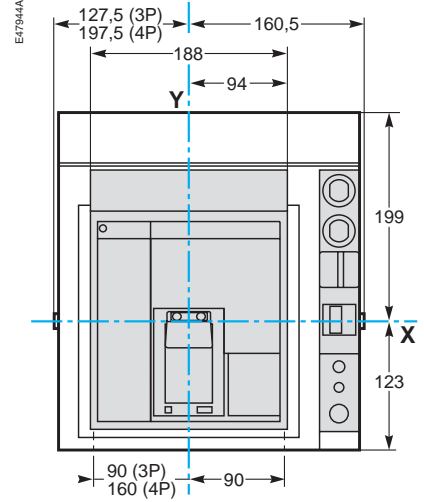
### Manual control



### Electrical control

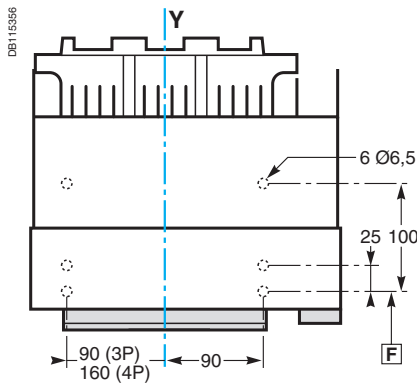
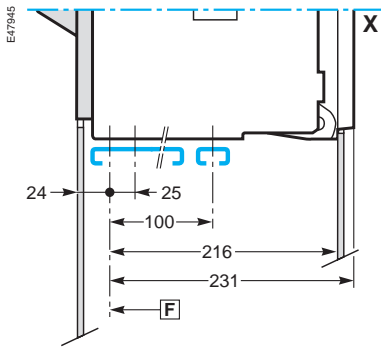


(\*) Withdrawable position

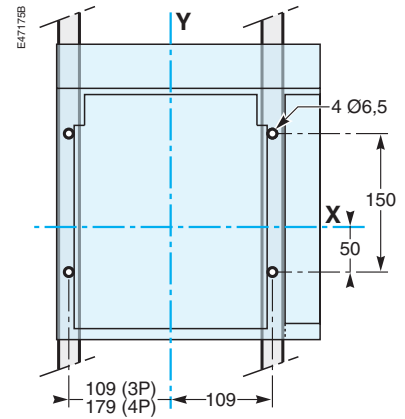


## Mounting

### Bottom mounting on base plate or rails

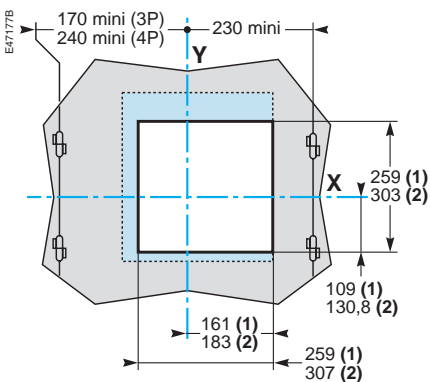


### Vertical on uprights or backplate

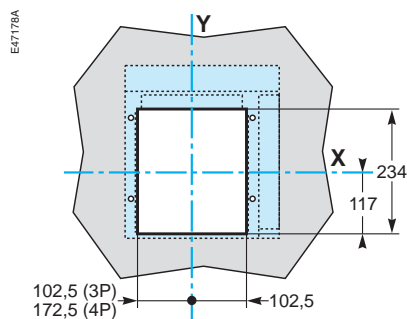


## Cutouts

### Door cutout



### Rear panel cutout



(1) Without escutcheon.  
(2) With escutcheon.

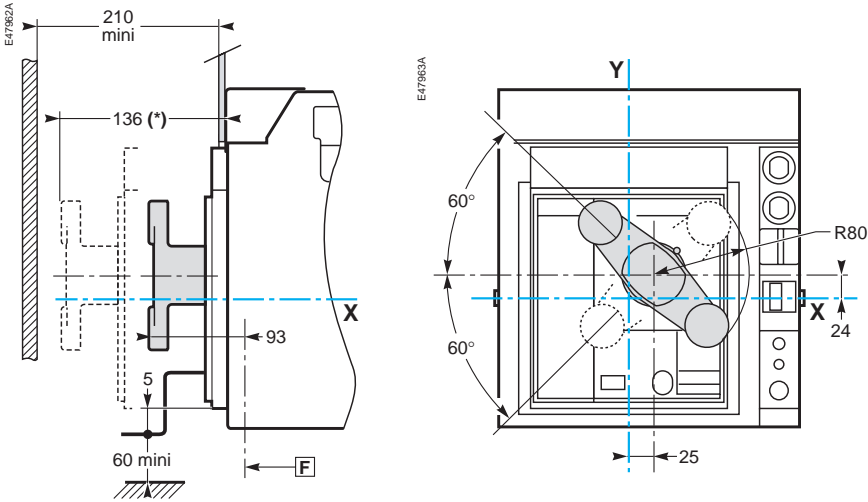
**F** : Datum

**Note.**

X and Y are the symmetry planes for a 3-pole device.

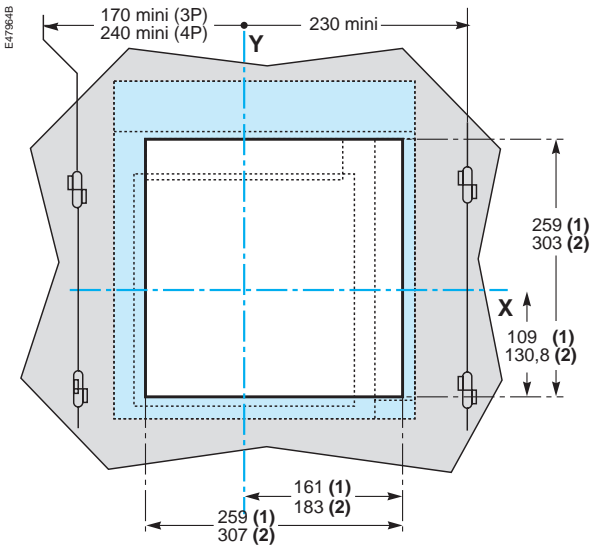
## Direct rotary handle

### Dimensions



(\*) Withdrawable position.

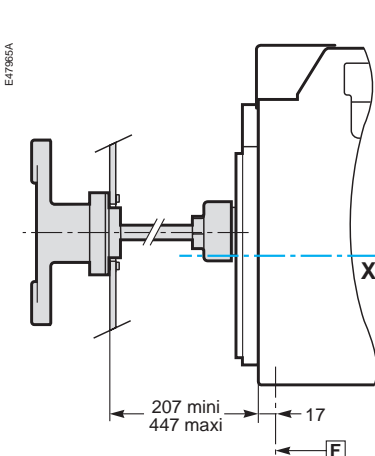
### Door cutout



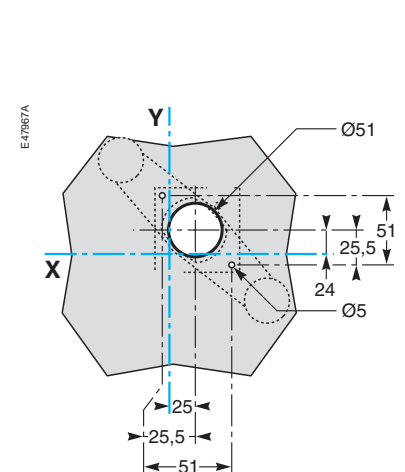
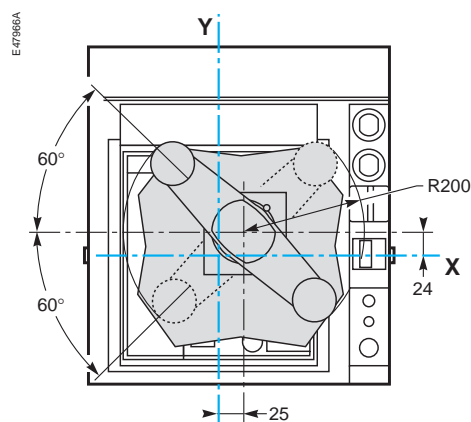
(1) Without escutcheon.  
(2) With escutcheon.

## Extended rotary handle

### Dimensions



### Door cutout

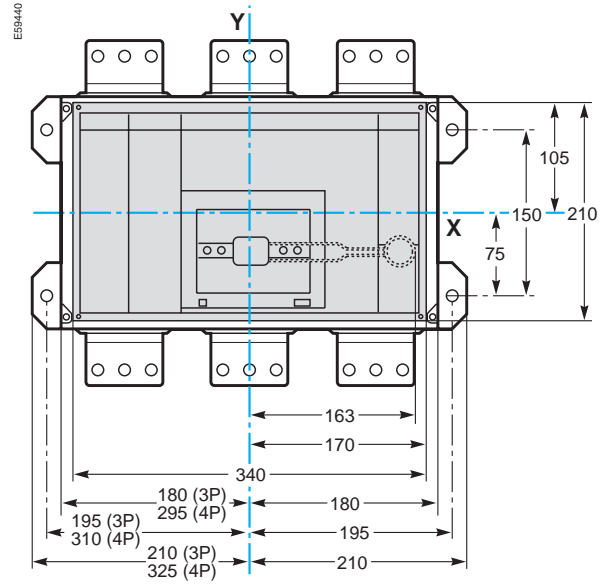
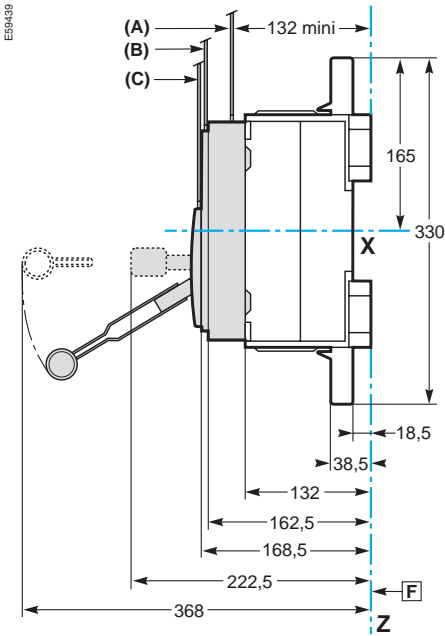


### Note.

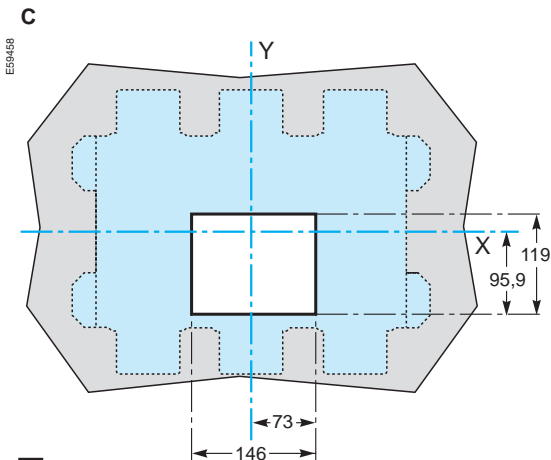
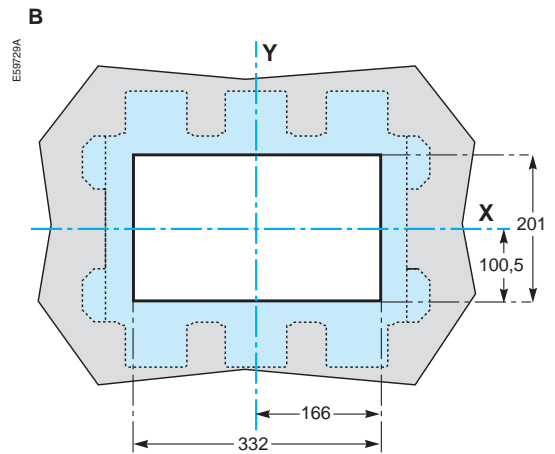
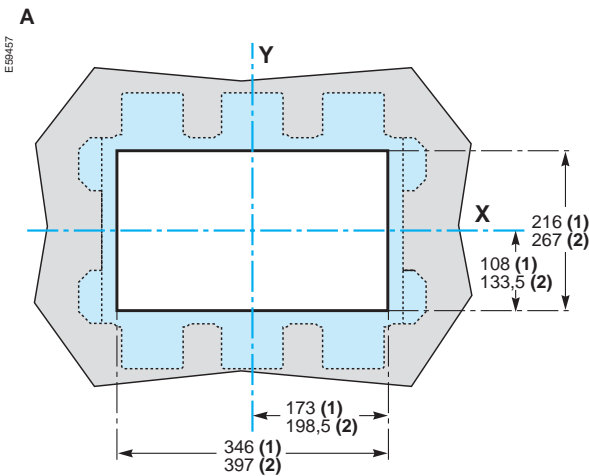
X and Y are the symmetry planes for a 3-pole device.

# Compact NS1600b to 3200 (fixed version) Dimensions

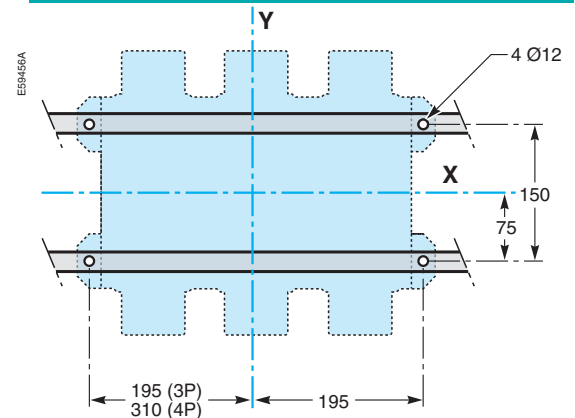
## Dimensions



## Door cutout (A, B, C)



## Mounting on rails



F : datum

(1) Without escutcheon.  
(2) With escutcheon.

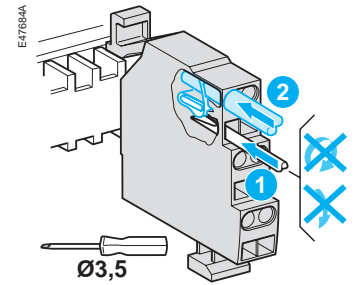
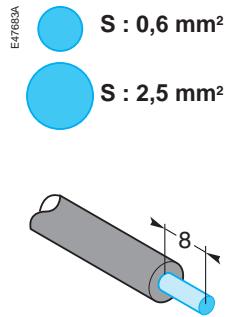
Note.  
X and Y are the symmetry planes for a 3-pole device



# Compact NS630b to 3200

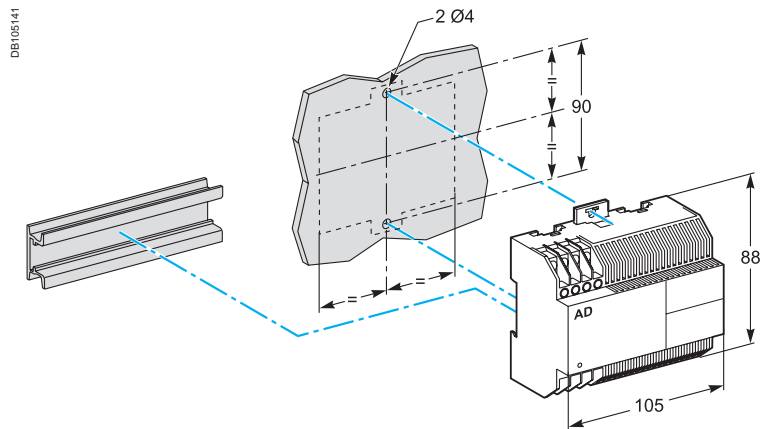
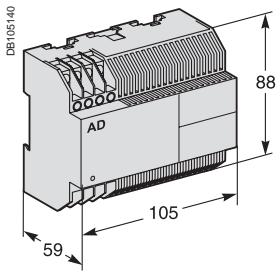
## External modules

### Control-wire connections to terminal block

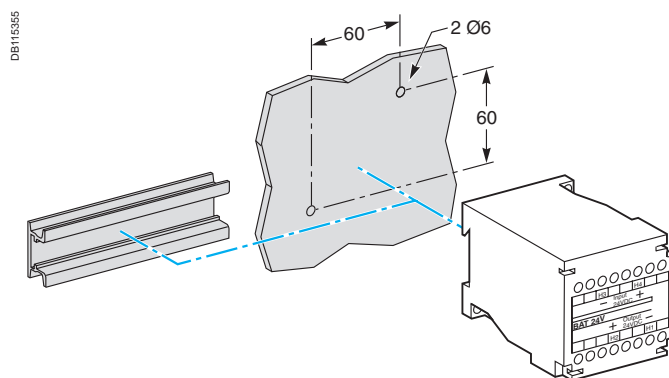
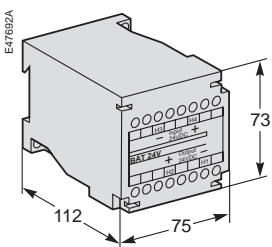


Only one wire per terminal.

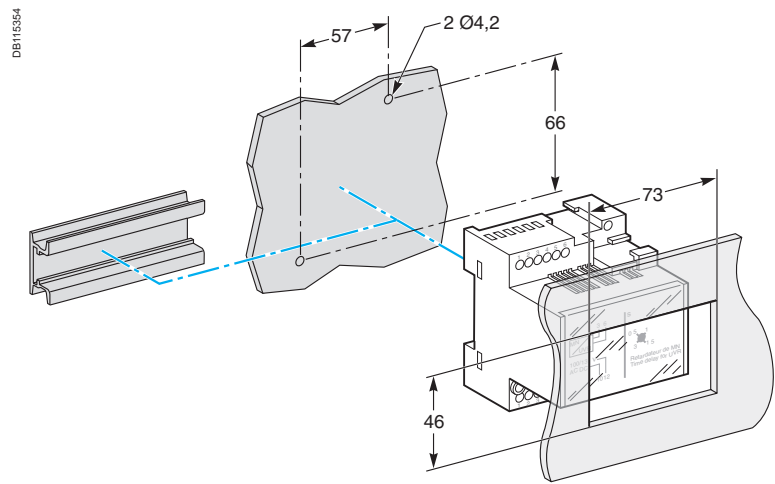
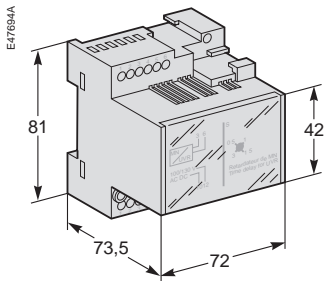
### External power-supply module (AD)



### Battery module (BAT)

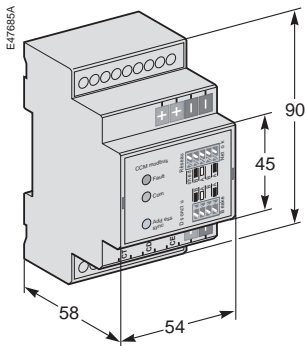


### MN delay unit

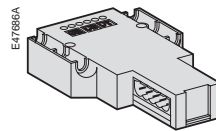


### Chassis communication module

#### Modbus

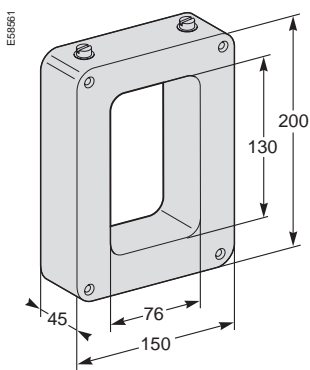


#### Digipact

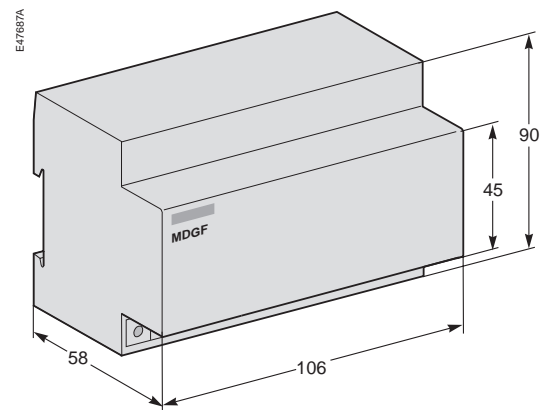


### External sensor for source ground return (SGR) protection

#### External sensor

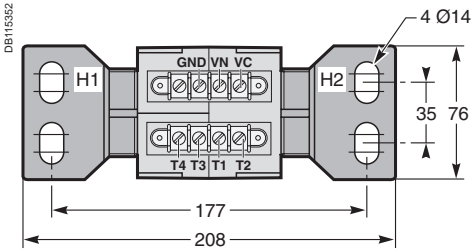


#### "MDGF" summing module

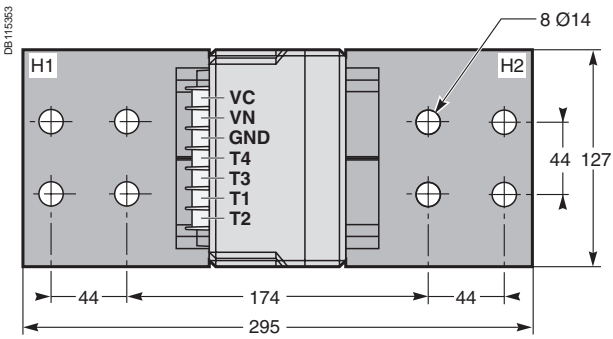


## External sensor for neutral

400/1600 A (NS630b to 1600)

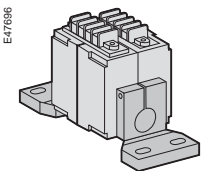


1000/4000 A (NS1600b to 3200)



## Installation

400/1600 (NS630b to NS1600)



1000/4000 A (NS1600b to NS3200)

