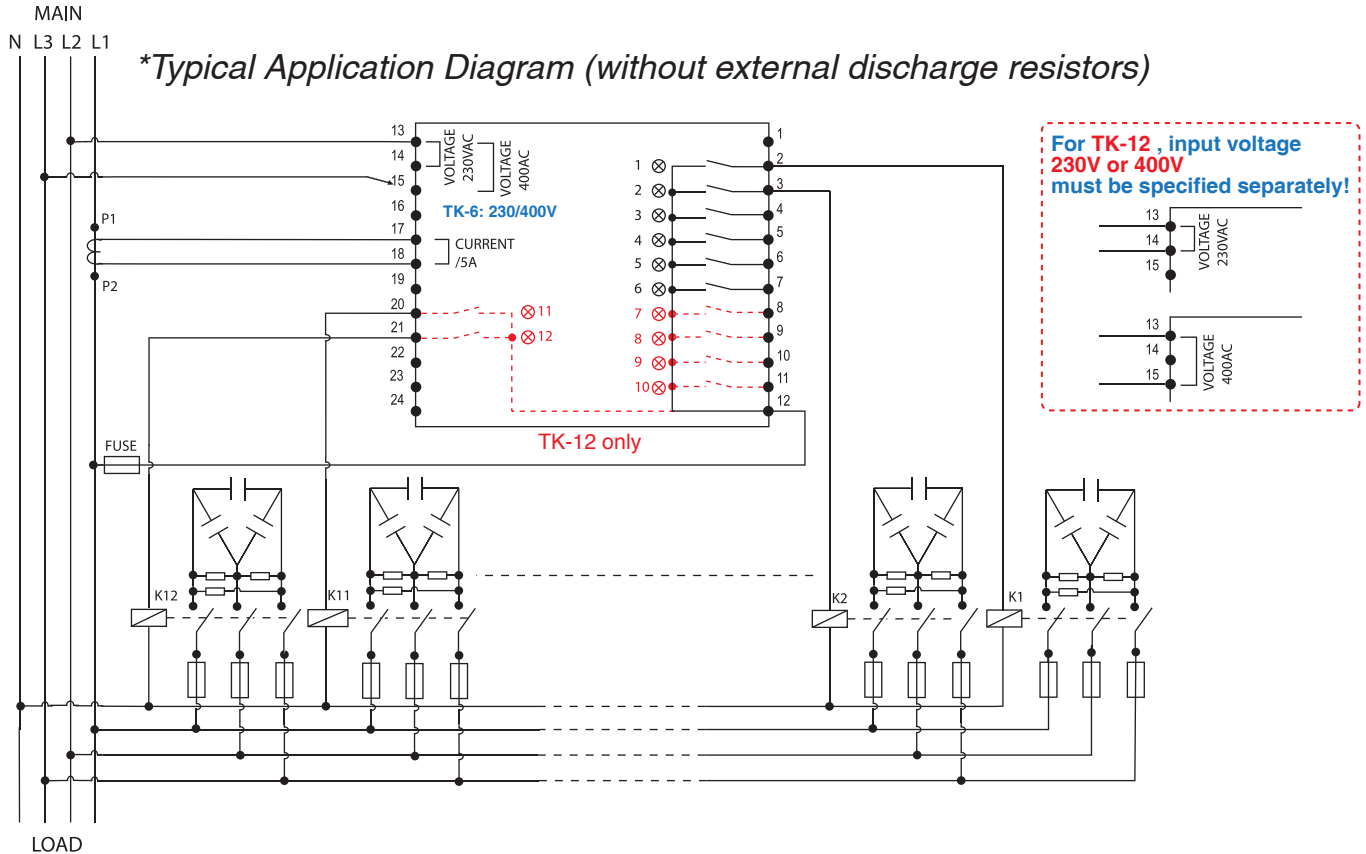


AUTO POWER FACTOR REGULATOR



SPECIFICATION

Type	Microprocessor type with digital LED display
Operating Voltage	TK-6: 230/400V, -15%~+10% TK-12: 230 or 400V, separately
Frequency	50HZ or 60HZ
Power Consumption	10VA max
Number of Steps	TK-6: 6 steps / TK-12: 12 steps, both with LED indications
Current	5A (Min.0.15A~Max.6.5A) with automatic CT polarity detection
Display	Power factor (IND/CAP), current
Relay Output	5A / 250V AC resistive load, 12A concinuous max., 10000 Cycles Can be programmed as alarm/fan output
Alarm	Over / under current, over / under voltage, Over / under power factor, auto C/K error, Auto CT polarity detection error
Switching Sequence	Automatic / Rotate (FIFO) / Manual / Four-quodrant
Switching Program	1:1:1:1, 1:1:2:2, 1:2:4:8... ≥10 programmable combinations
Switching Sensitivity	5~600 Sec/step
Reconnection Time	5~240 Sec (for the same step)
C/K Setting	0.03~1.20 / Auto
Power Factor Setting	0.80 IND ~ 0.80 CAP
Dimensions / Weight	144 x 144 mm, depth: 91mm, 1kg
Panel Cut Out	138 x 138 mm
Protection Class	IP54 (frontal)
Working Temperature	-10°C~60°C
Humidity Range	10% ~ 95%RH
Standards	IEC650, IEC348, IEC414, EN61010



普得企業股份有限公司

總公司: 台北市內湖區行愛路68號6樓

電話: (02)8791-8588 傳真: (02)8791-9588

電子郵件: toyotech@ms37.hinet.net

網址: www.toyotech.com.tw

台中辦事處: 台中市文心路四段200號10樓之2

電話: (04)2296-9388 傳真: (04)2296-9386

高雄辦事處: 高雄市民生一路56號15樓之6

電話: (07)227-2133 傳真: (07)227-2173