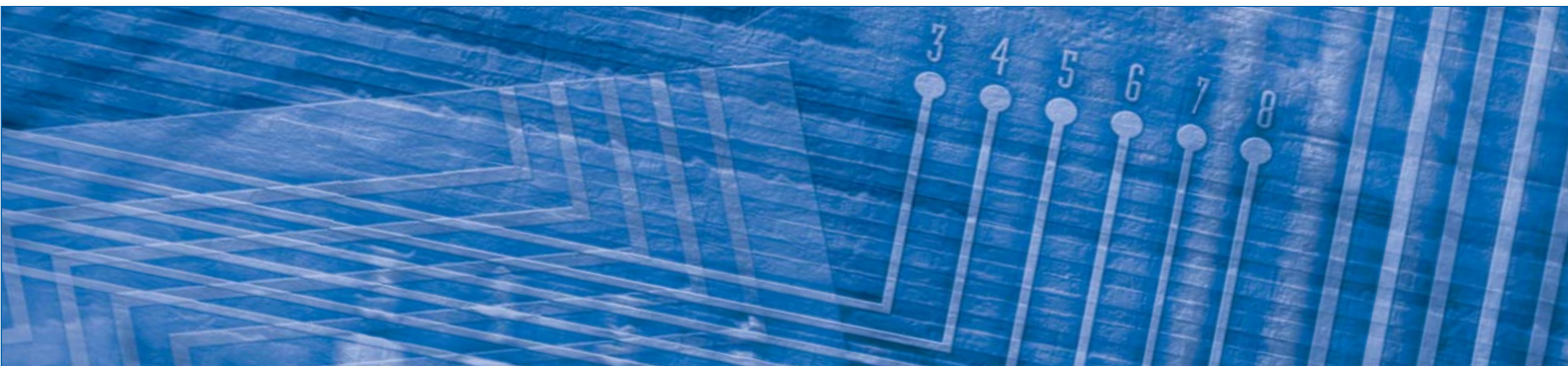


# TOKO 統固盤用96x48mm數字式電表

## DIGITAL PANEL METERS



## SPECIFICATIONS

Item	DC AM/VM		AC AM/VM		KWM/KVARM	PFM	FM	TEMP. METER
	3 <sup>1/2</sup> 1999	4 <sup>1/2</sup> 19999	3 <sup>1/2</sup> 1999	4 <sup>1/2</sup> 19999	4 <sup>1/2</sup> 19999	4 <sup>1/2</sup>	999.9	3 <sup>3/4</sup> 3999
Accuracy	± 0.1% ± 1 Digit	± 0.03% ± 2 Digits	± 0.25% ± 1 Digit	± 0.1% ± 2 Digits	± 0.25% / ± 0.4% ± 3 Digits	± 1% ± 1 Digit	± 0.05%	± 0.25%
Temp. Coefficient	± 60ppm / °C							
Sampling Time	3 cycles / sec.						1 cycle / sec.	2.5 cycles / sec.
Overrange Indication	"1"	"0000" flash	"1"	"0000" flash	"0000" flash		"1"	
Display	LED numeric elements of 0.56" (14.2mm) height							
Frequency Range	45 ~ 400Hz (for AC range)							
Overload Capability	Voltage	750V <sub>rms</sub> (continuous)						
	Current	3x Rated (continuous) , 10x Rated (10 sec.) , 50x Rated (1 sec.)						—
Dielectric Strength	AC 2KV / 1 minute (input/power/case)							
Surge Test	4KV / 1.2x50μs IEC 60255-4							
Power Consumption	DC 3W , AC 3.5VA							
Operating Temp.	0 ~ 60°C							
Storage Temp.	-20 ~ +70°C							
Relative Humidity	95% RH (no condensation)							
Dimension	96 x 48 mm 72 x 36 mm		96 x 48 mm					
Weight	About 320g ~ 480g							

## ORDERING INFORMATION

### 1. DC or AC Ampere / Voltage Meter

**AM 3 — 2 7 A H C**  
 ① ② ③ ④ ⑤ ⑥ ⑦

#### ① Meter Type

AM	Ampere Meter
VM	Voltage Meter

#### ③ Power Source

1	DC 24V
2	AC 110/220V ±10%
3	DC 48V
4	DC 125V
5	DC 110V
6	DC 220V
9	Option

#### ② Digits

3	3 <sup>1/2</sup> 96 x 48 mm
4	4 <sup>1/2</sup> 96 x 48 mm
3M	3 <sup>1/2</sup> Meter Relay
4M	4 <sup>1/2</sup> Meter Relay
37	3 <sup>1/2</sup> 72 x 36 mm
47	4 <sup>1/2</sup> 72 x 36 mm

★37/47 only DC input

#### ④ Input Range

1	0~50mV DC
2	0~60mV DC
3	0~100mV DC
4	0~20mA DC
5	4~20mA DC
6	0~1A AC
7	0~5A AC
8	0~150V AC
9	0~300V AC
A	0~600V AC
B	Option

★Display as required

#### ⑤ DC Analog Output

Blank	No Output
A	w/ Output

★3M/4M type only

#### ⑥ Relay Output

Blank	No Relay Output
L	Low setting
LL	Low-Low setting
HL	High-Low setting
H	High setting
HH	High-High setting

★3M/4M type only

#### ⑦ Series Output

Blank	No Output
C	w/ RS485 Output

★4M type only

## 2. Frequency Meter

**FM 4 — 2 A**  
 ① ② ③ ④

### ① Meter Type

FM	Frequency Meter
----	-----------------

### ② Digits

4	0~999.9Hz 2~600V
---	------------------

### ③ Power Source

1	DC 24V	5	DC 110V
2	AC 110/220V ±10%	6	DC 220V
3	DC 48V	9	Option
4	DC 125V		

### ④ Output

Blank	No Output
A	w/ DC Output
C	w/ RS485 Output

## 3. KW / KVAR / PF Meter (Microprocessor Type)

**WM 33 — 2 11 A**  
 ① ② ③ ④ ⑤

### ① Meter Type

WM	KW Meter
RM	KVAR Meter
PM	PF Meter

### ② System

12	1Ø2W
13	1Ø3W
33	3Ø3W
34	3Ø4W

### ③ Power Source

1	DC 24V
2	AC 110/220V ±10%
3	DC 48V
4	DC 125V
5	DC 110V
6	DC 220V
9	Option

### ④ Input Range

11	AC 110/120V 5A
19	AC 190/√3V 5A
20	AC 208/√3V 5A
22	AC 220V 5A
38	AC 380/√3V 5A
99	Option

★ PT and CT ratio must be specified

### ⑤ Output

Blank	No Output
A	w/ DC Output
P	w/ Pulse Output
C	w/ RS485 Output

## 4. Temperature Meter

**TM — 2 1**  
 ① ② ③

### ① Meter Type

TM	Temperature Meter
----	-------------------

### ② Power Source

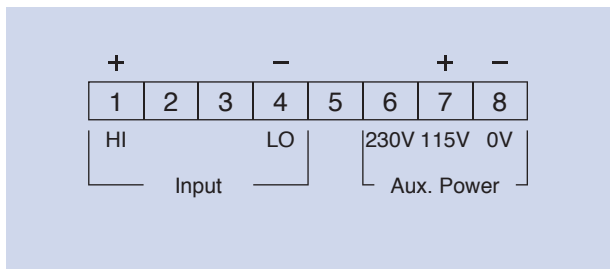
1	DC 24V
2	AC 110/220V ±10%
3	DC 48V
4	DC 125V
5	DC 110V
6	DC 220V
9	Option

### ③ Sensor and Measuring Range

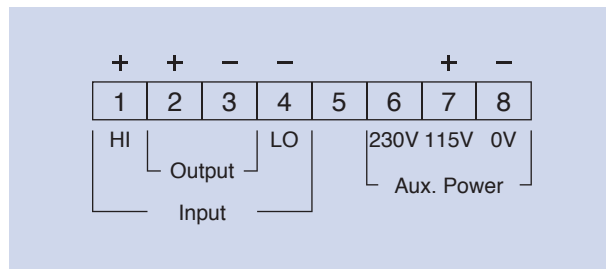
1	PT-100Ω (-199.9 ~ 199.9°C)	J	J (-200 ~ +760°C)
2	PT-100Ω JIS (-200 ~ +600°C)	K	K (-130 ~ +1370°C)
3	PT-100Ω DIN (-200 ~ +800°C)	T	T (-200 ~ +400°C)
		E	E (-200 ~ +1000°C)
		S	S (0 ~ +1760°C)
		R	R (0 ~ +1760°C)

## ■ WIRINGS

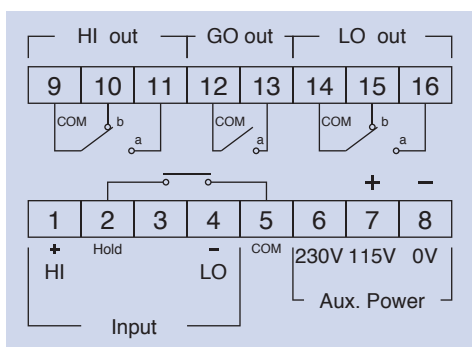
### 1. DC or AC Ampere / Voltage Meter , Frequency Meter



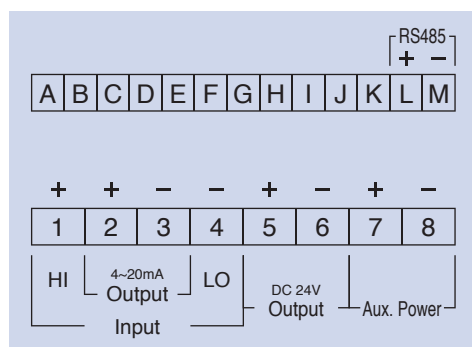
### 2. DC or AC Ampere / Voltage Meter w/ DC Analog Output



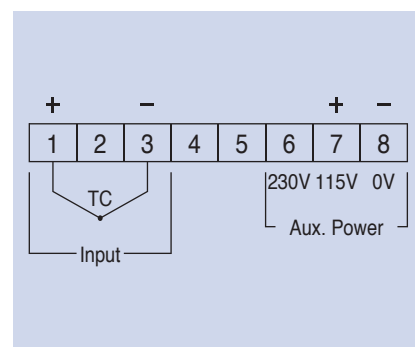
### 3. DC or AC Ampere / Voltage Meter w/ Relay Output



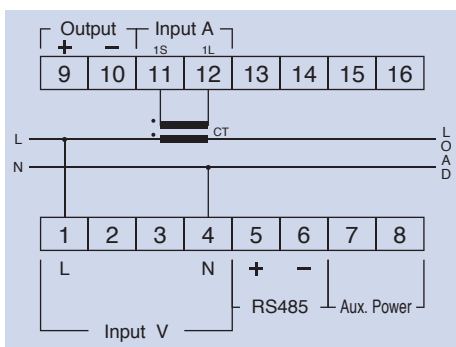
### 4. DC or AC Ampere / Voltage Meter w/ RS485 Output



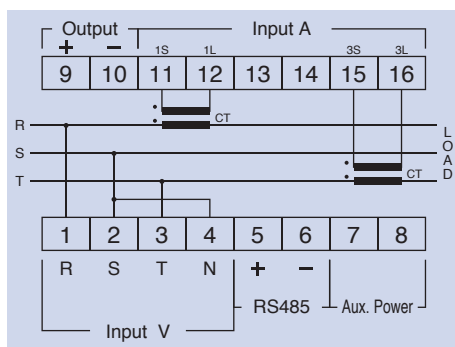
### 5. Frequency Meter



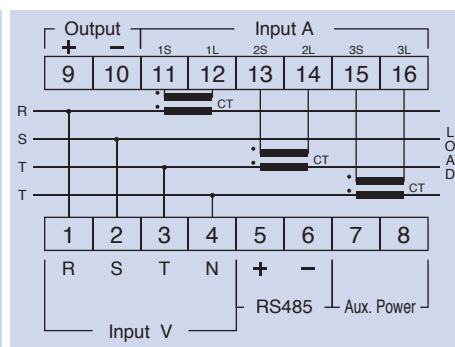
### 6. KW / KVAR / PF Meter 1P2W



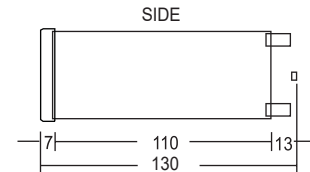
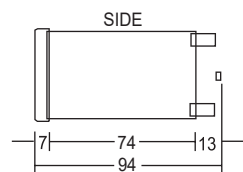
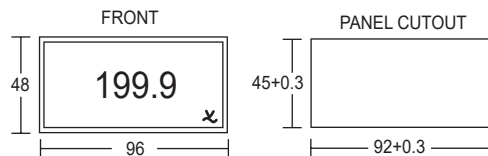
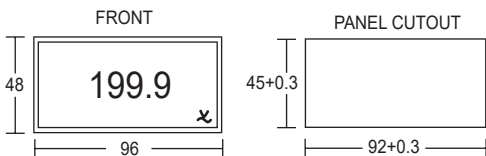
### 3P3W



### 3P4W



## ■ DIMENSIONS (mm)



AM / VM

AM / VM w/ Output  
Frequency / PF  
KW / KVAR  
Temperature Meters

## 普得企業股份有限公司

總公司: 台北市內湖區行愛路68號6樓  
電話: (02)8791-8588 傳真: (02)8791-9588  
電子郵件: toyotech@ms37.hinet.net  
網址: www.toyotech.com.tw

台中辦事處: 台中市文心路四段200號10樓之2  
電話: (04)2296-9388 傳真: (04)2296-9386  
高雄辦事處: 高雄市民生一路56號15樓之6  
電話: (07)227-2133 傳真: (07)227-2173