



• WATTHOUR METER WITH PULSE INITIATOR

TYPE	PHASE AND LINE	CAT. NO.	MOUNTING	Rated.		Freq. (Hz)	Wt (Kg)	ACCURACY
				VOLT.(V)	CURR.(A)			
WG-5A	1 $\phi$ 2W	0B09K9	SURFACE	110 220	30	50 or 60	1.8	2.0 *(1.0)
		OB09GK9	"		120		2.5	
		0B09HK9	"		- /5		1.8	
		OB09HK9VR	FLUSH-MOUNT.		- /5		1.8	
	1 $\phi$ 3W	0W09K9	SURFACE	110/220 110 220	30		3.0	2.0 *(1.0)
		OW09GK9	"		120		4.3	
		0W09HK9	"		- /5		3.0	
		OW09HK9VR	FLUSH-MOUNT.		- /5		3.0	
	3 $\phi$ 3W	0W09K9	SURFACE	110 220 - /110 - /220	30		3.0	2.0 *(1.0)
		OW09GK9	"		120		4.3	
		0W09HK9	"		- /5		3.0	
		OW09HK9VR	FLUSH-MOUNT.		- /5		3.0	
	3 $\phi$ 4W	0Q91K9	SURFACE	63.5/110 110/190 120/208 220/380	30		4.1	2.0 *(1.0)
		OQ91GK9	"		120		5.4	
		0Q91HK9	"		- /5		4.1	
		OQ91HK9VR	FLUSH-MOUNT.		- /5		4.2	

\* Accuracy 1.0 class is precision-type, add P to the type, ex OW09HPK9VR

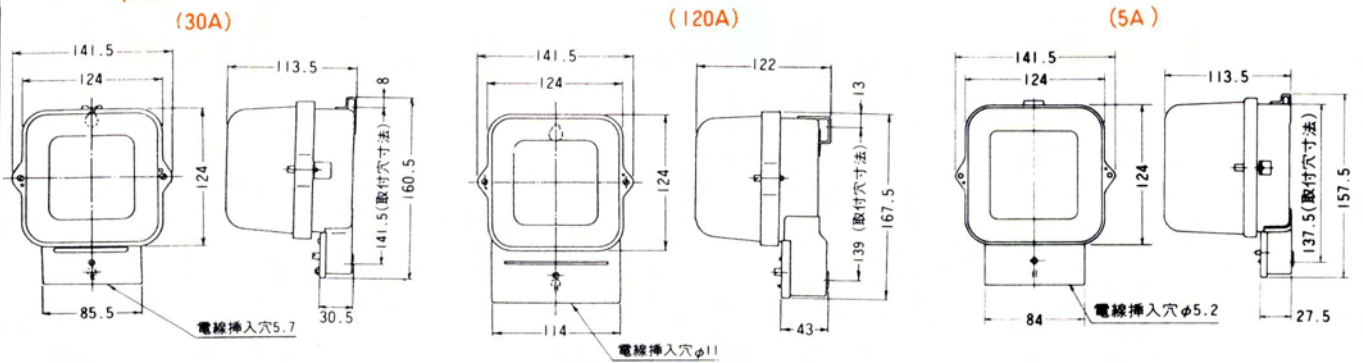
• VARHOUR METER AND WITH PULSE INITIATOR

PHASE AND LINES	TYPE	MOUNTING	Rated		Freq. (Hz)	Wt (Kg)	ACCURACY	MARK
			VOLT.(V)	CURR.(A)				
3 $\phi$ 3W	Q93	SURFACE	- /110	- /5A	50 or 60	4.1	2.5	WITH PULSE
	Q93-V	FLUSH-MOUNT.				4.2		
3 $\phi$ 4W	Q94	SURFACE	63.5/110 110/190 120/208 220/380	- /5A		4.1		
	Q94-V	FLUSH-MOUNT.				4.2		
3 $\phi$ 3W QG-5A	OS09K9	SURFACE	- /110	- /5A		4.1		
	OS09K9VR	FLUSH-MOUNT.				4.2		
3 $\phi$ 4W QG-5A	OR91HK9	SURFACE	63.5/110 110/190 120/208 220/380	- /5A		4.1		
	OR91HK9VR	FLUSH-MOUNT.				4.2		

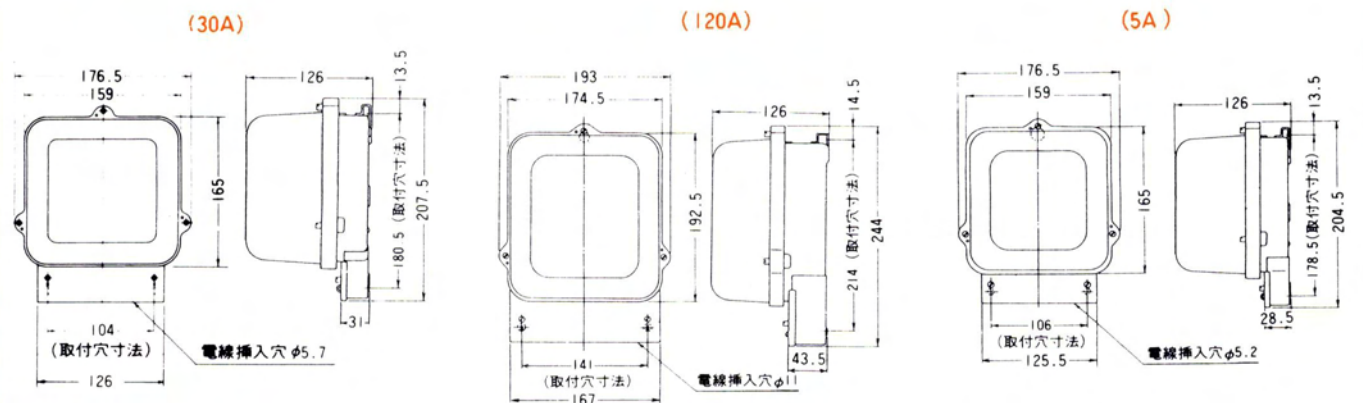
# ■ DIMENSIONS

## SURFACE MOUNTING

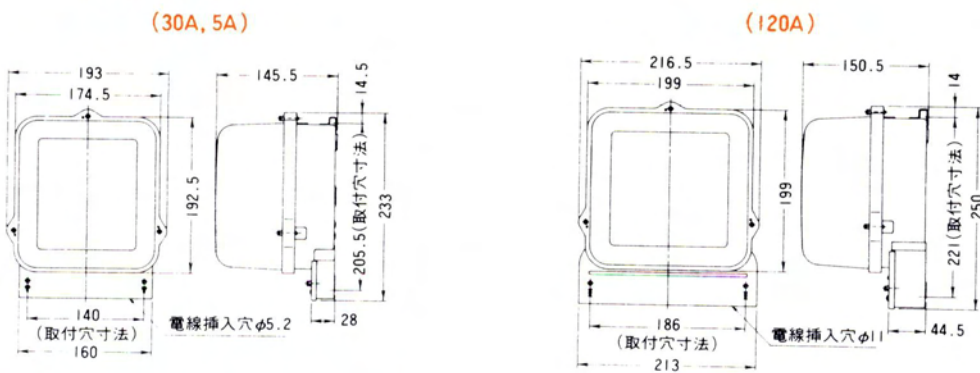
### • 1φ2W



### • 1φ3W/3φ3W

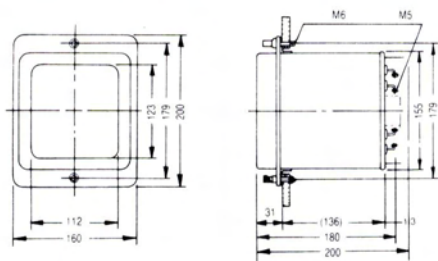


### • 3φ4W



## FLUSH MOUNTING

### • 1φ2W, 1φ3W, 3φ3W, 3φ4W



## PANEL CUT

