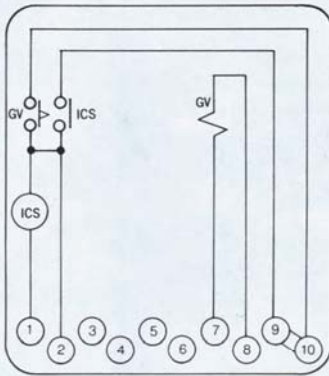


TYPE TGV-C (常時開路形: Normally Open Contact)

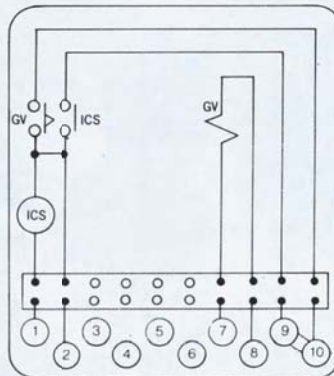
When third voltage of ground potential transformer rises over a given value, the main contact closes after time delay and trip a circuit breaker.

INTERNAL WIRING DIAGRAM

TGV-C□

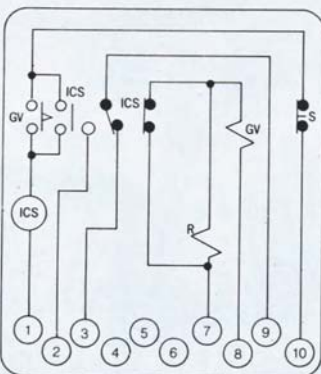


Non-drawout Type

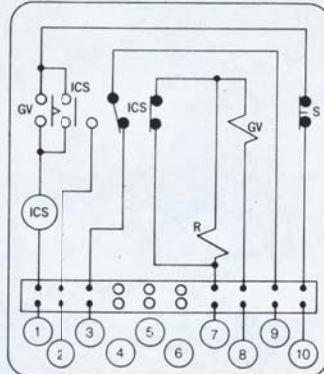


Drawout Type

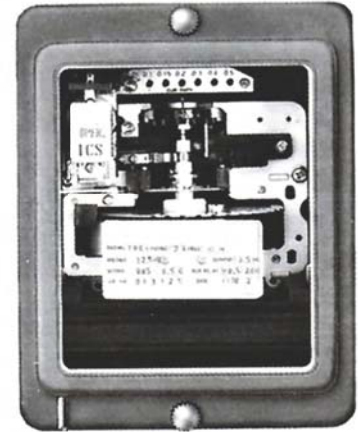
TGV-C□V



Non-drawout Type



Drawout Type



OPERATING VALUE SETTING

When you will be setting the operating voltage value, must be set on the setting voltage plate in the relay.

TIME LEVER SETTING

You must be decide the operating time before setting by the time lever above the rotary disk and refer to Time-Voltage characteristic. When the shipping, be posited at 10 position of time lever.

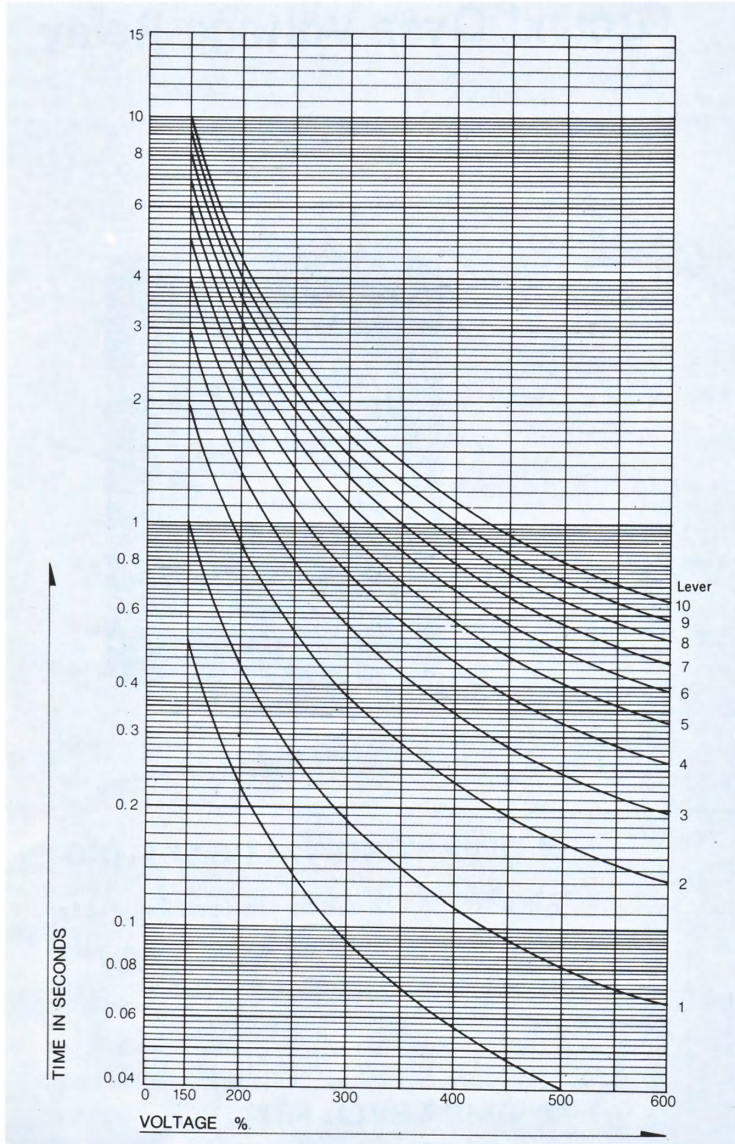
SPECIFICATION

(Values at 60Hz)

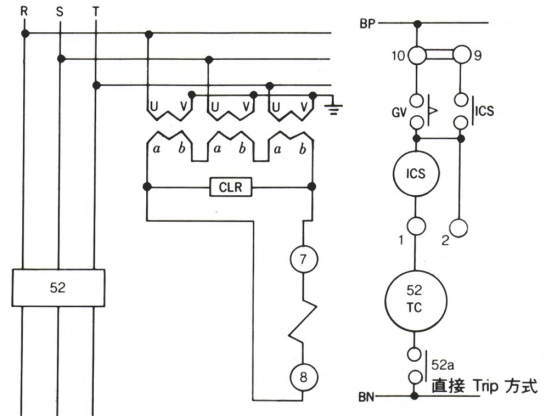
Type	Rating (V)	Tap Range	ICS Unit (DC)	Figure	Weight (Kg)
TGV-C9	190V	35, 40, 45, 50, 55, 60, 65V	0.5A	Non-drawout	≒ 3.5
TGV-C1	110V	20, 25, 30, 35, 40V			
TGV-CD9	190V	35, 40, 45, 50, 55, 60, 65V	0.5-2.0A	Drawout	≒ 4.5
TGV-CD1	110V	20, 25, 30, 35, 40V			
TGV-C9V	190V	35, 40, 45, 50, 55, 60, 65V	110V (AC, DC)	Non-drawout	≒ 3.5
TGV-C1V	110V	20, 25, 30, 35, 40V			
TGV-CD9V	190V	35, 40, 45, 50, 55, 60, 65V	110V (AC, DC)	Drawout	≒ 4.5
TGV-CD1V	110V	20, 25, 30, 35, 40V			

TIME & VOLTAGE CHARACTERISTICS

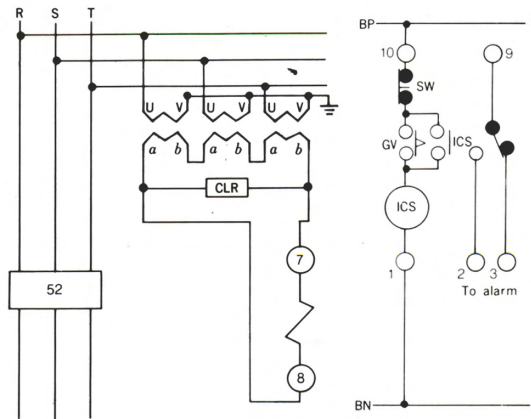
OVER VOLTAGE GROUND RELAY



EXTERNAL WIRING DIAGRAM

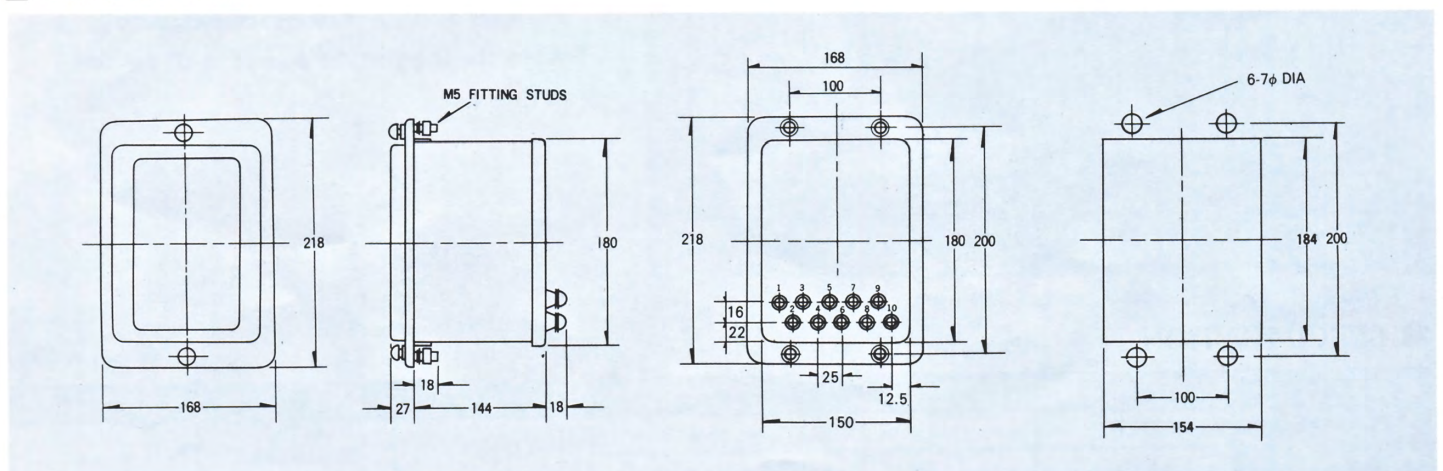


ICS: CURRENT COIL



ICS: VOLTAGE COIL

DIMENSIONS



普得企業股份有限公司

總公司: 台北市內湖區行愛路68號6樓
 電話: (02)8791-8588 傳真: (02)8791-9588
 電子郵件: toyotech@ms37.hinet.net
 網址: www.toyotech.com.tw

台中辦事處: 台中市文心路四段200號10樓之2
 電話: (04)2296-9388 傳真: (04)2296-9386
 高雄辦事處: 高雄市民生一路56號15樓之6
 電話: (07)227-2133 傳真: (07)227-2173