

# TOYO

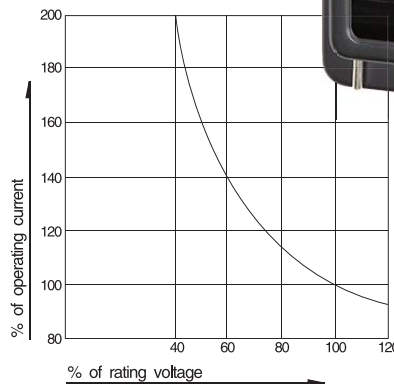
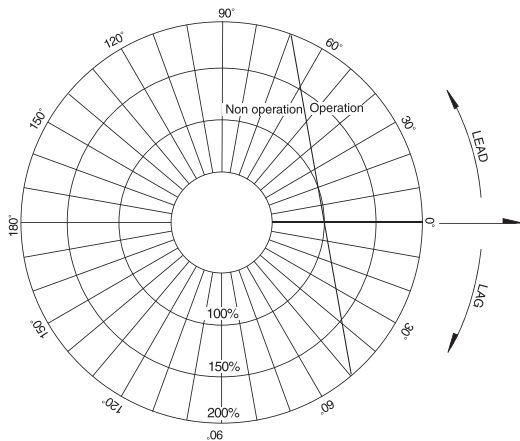
# 逆電力繼電器RPR(32)

Reverse Power Relay

- **TYPE TRP-C1** (固定型 : Fixed Type)
- **TYPE TRP-CD1** (抽出型 : Draw Out Type)

When direction of power is reverse, the main contact is closed after time delay. This relay is used in phase control for parallel operated generator protection.

## ■ PHASE and V-I CHARACTERISTICS (最大感度角Lead 10°)



$$\text{Operating Current} = \frac{\text{Operation watt}}{\text{Rating Voltage} \times \cos \theta}$$



## ■ SPECIFICATION (values at 60Hz)

Type	Tap Range	Rating		ICS Unit (DC)	Figure	Weight
		(V)	(A)			
TRP-C1	10 , 15 , 20 , 25 , 30W	$110\sqrt{3}$	5A	1.0A	Fixed	3.6kg
TRP-CD1	10 , 15 , 20 , 25 , 30W	$110\sqrt{3}$	5A	0.5 / 2.0A	Draw Out	4.4kg

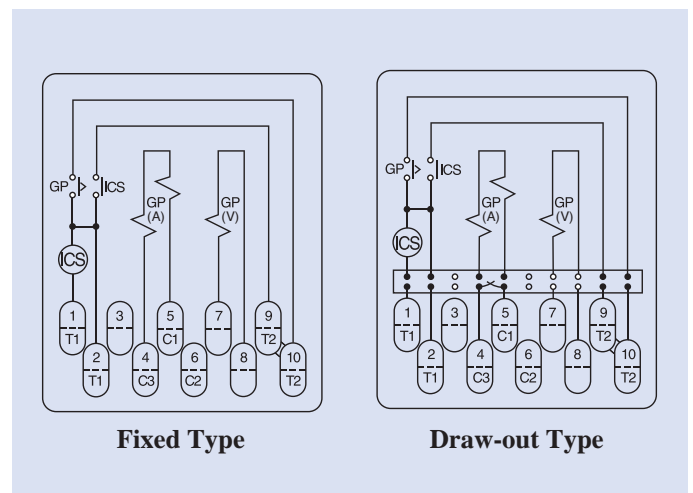
## ■ OPERATING VALUE SETTING

When setting the operating power of the relay, you can change the value by first inserting the spare screw (beside the ICS unit) into the expected power value, and then remove the original screw after setting is done. In the case of draw-out type relay, set the power value while the relay is being drawn out.

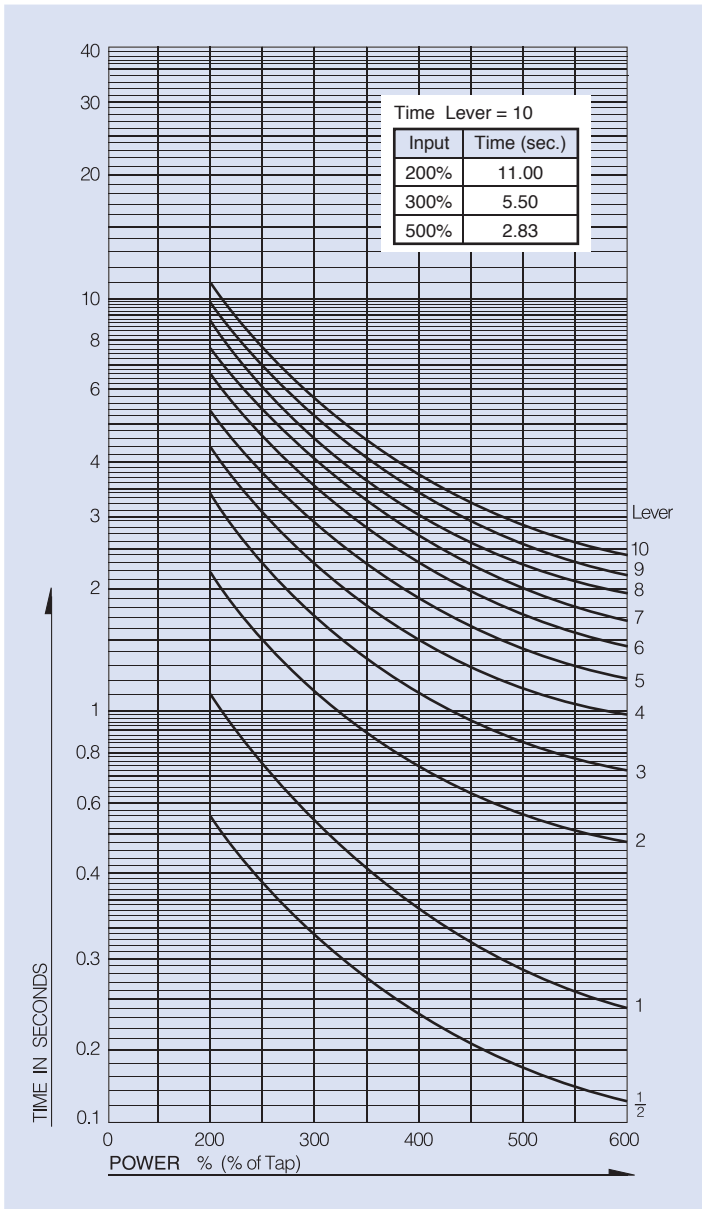
## ■ TIME LEVER SETTING

The operating time of the relay must firstly be decided before setting the time lever above the rotary disk. The time lever has been initialized at lever 10 as default setting.

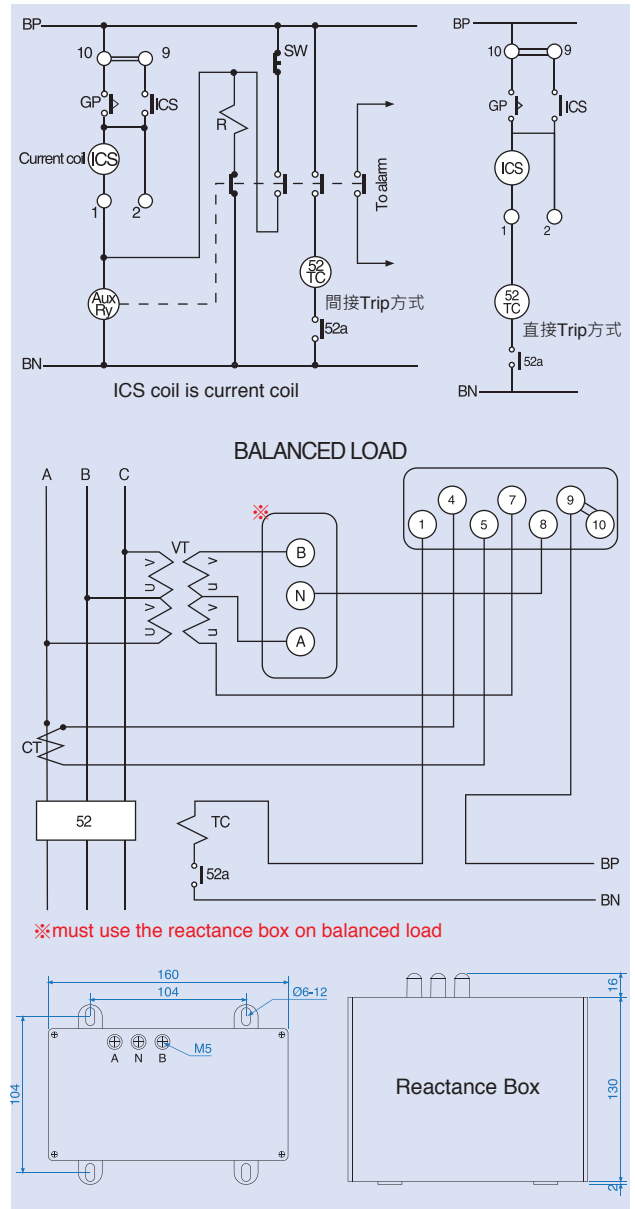
## ■ INTERNAL WIRING DIAGRAM



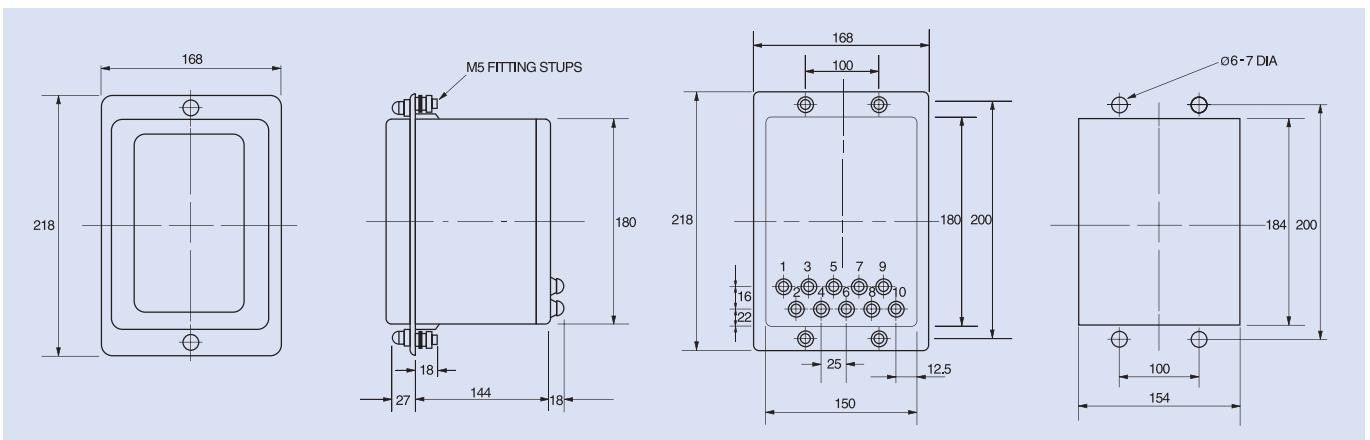
## TIME & CURRENT CHARACTERISTIC (Reverse Power Relay)



## EXTERNAL WIRING DIAGRAM



## DIMENSION



## 普得企業股份有限公司

總公司: 台北市內湖區行愛路 68 號 6 樓  
 電話: (02)8791-8588 傳真: (02)8791-9588  
 電子郵件: toyotech@ms37.hinet.net  
 網址: www.toyotech.com.tw

台中辦事處: 台中市文心路四段 200 號 10 樓之 2  
 電話: (04)2296-9388 傳真: (04)2296-9388  
 高雄辦事處: 高雄市民生一路 56 號 15 樓之 6  
 電話: (07)227-2133 傳真: (07)227-2173