

TOYO

EPOXY MOLD VOLTAGE DETECTOR



Introduction

TOYO capacitor post voltage detecting insulators are manufactured with high quality epoxy resin and are equipped with sheds increasing creepage distance and allowing installation of insulators also in polluted environments.

Insulator type voltage detector is the insulating support and connected to the lamps to indicate that the voltage is applied to the high voltage circuit.

As this lamp gets its power source from the low voltage divided by the capacitor, it never fails to light when the voltage is applied to the circuit.

The terminal of voltage detector is provided on the earth side of epoxy resin insulator. Therefore, the voltage detect can be carried out without causing any damage or trouble to the function of supporting insulator.

Specification

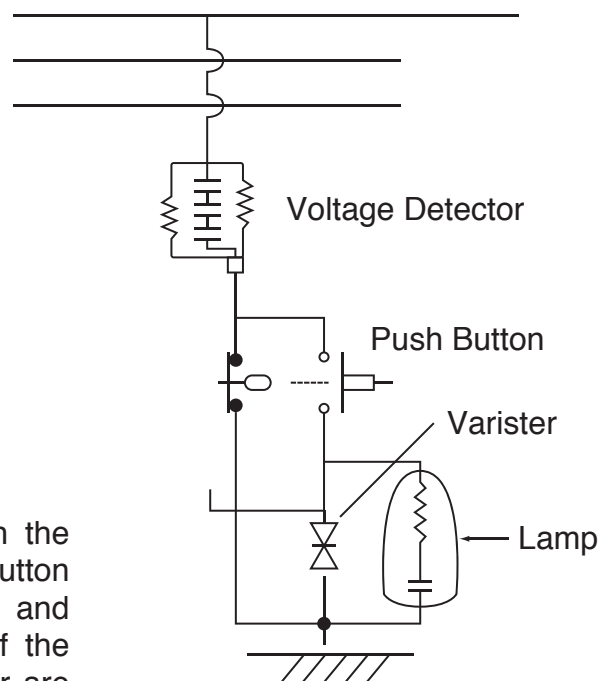
Type	Rated Voltage (kV)	Insulation Level (kV)		Dimension (mm)			Characteristics			
		Power Frequency	Impulse	Height	Shed Diameter	Creepage Distance	Strength (kg)	Capacitance (pF)	Working Current (A)	Weight (kg)
TOVD-12XB	12	28	75	130	100	220	600	150	0.35	1.0

Voltage Indicator



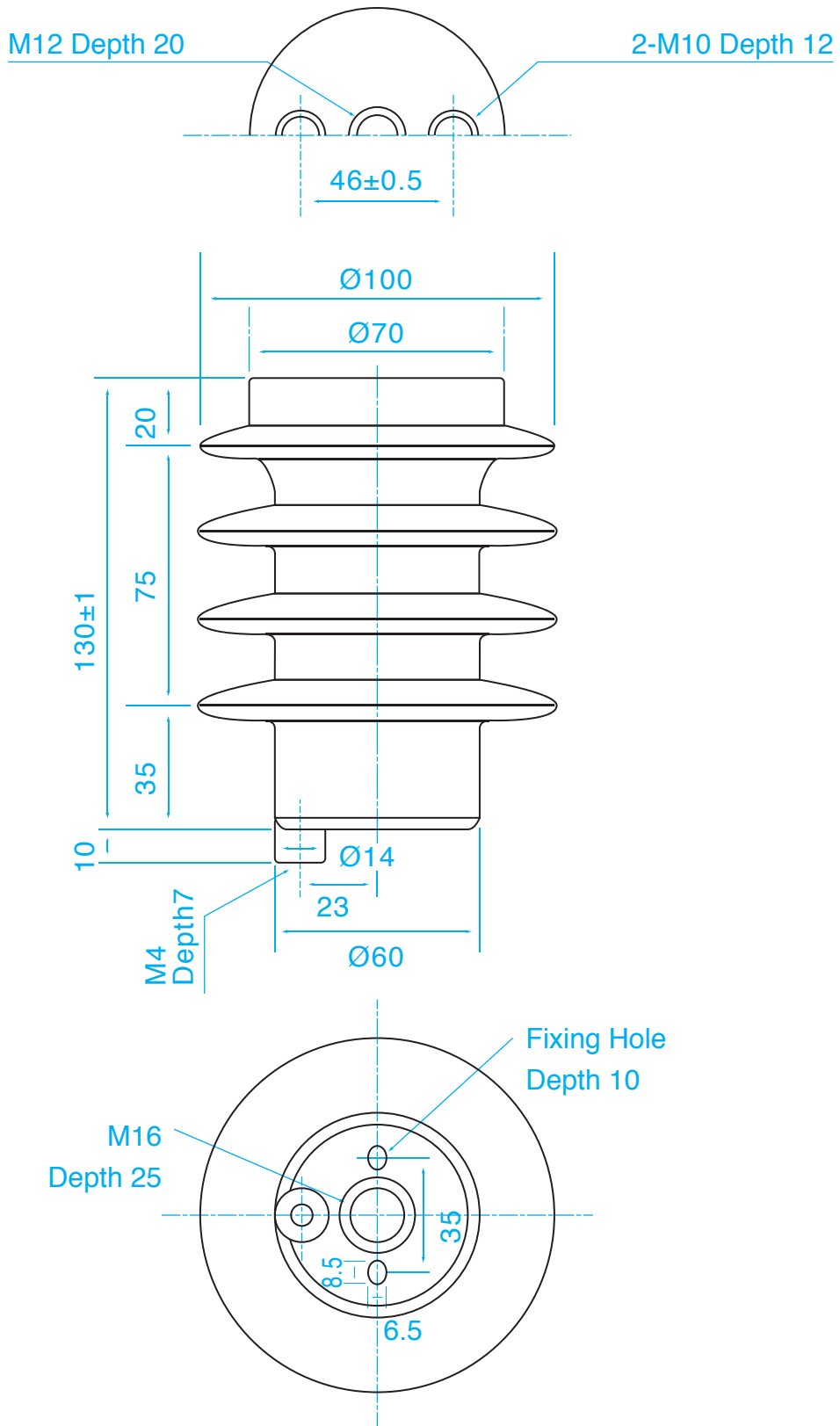
Type: TOVD-IN

Usually, this voltage indicator is earthed through the push button switch. In inspection, push the push button switch once (with a “click”) to light up the lamps, and then again push once (with a “click”) to turn off the lamps. For safety purpose, the lamps and varister are connected in parallel.

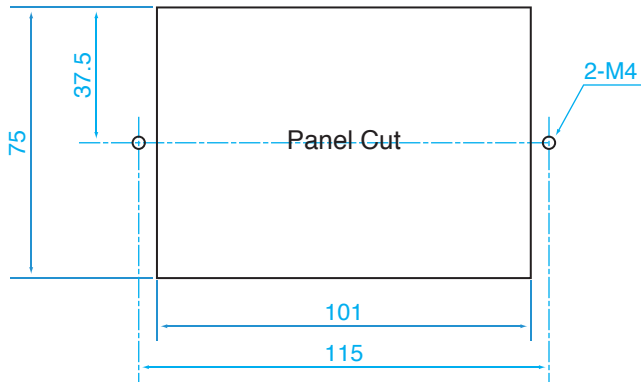
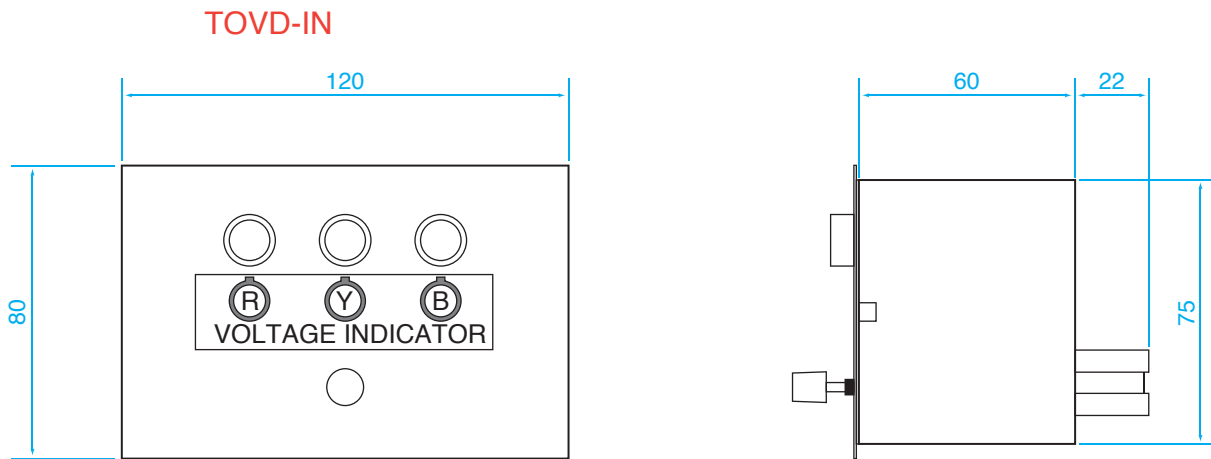


■ Dimension (mm)

TOVD-12XB



■ Dimension for Indicator (mm)



普得企業股份有限公司

總公司：台北市內湖區行愛路 68 號 6 樓

電話：(02)8791-8588 傳真：(02)8791-9588

電子郵件：toyotech@ms37.hinet.net

網址：www.toyotech.com.tw

台中辦事處：台中市文心路四段 200 號 10 樓之 2

電話：(04)2296-9388 傳真：(04)2296-9386

高雄辦事處：高雄市民生一路 56 號 15 樓之 6

電話：(07)227-2133 傳真：(07)227-2173