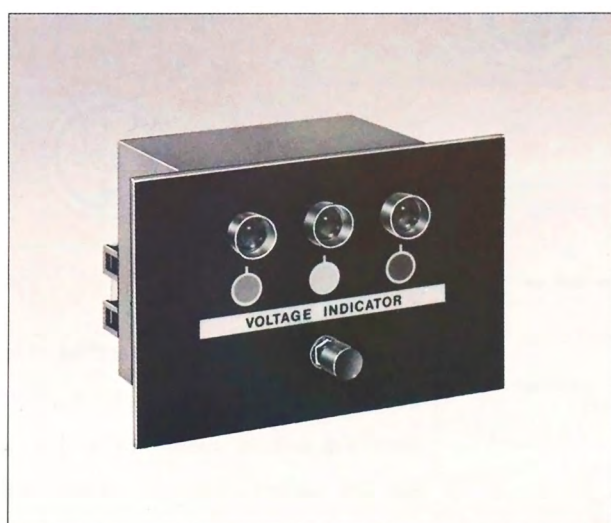


# Epoxy-mold Voltage Detector

Insulator type voltage detector is the insulating support and connected to the lamps to indicate that the voltage is applied to the high voltage circuit.

As this lamp gets its power source from the low voltage divided by the capacitor, it never fails to light when the voltage is applied to the circuit.

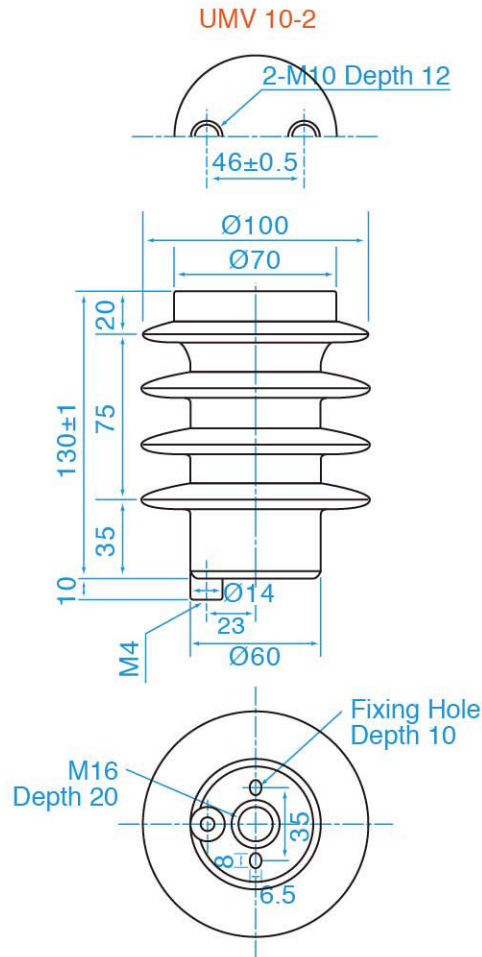
The terminal of voltage detector is provided on the earth side of epoxy resin insulator. Therefore, the voltage detect can be carried out without causing any damage or trouble to the function of supporting insulator.



## Specification

Type	Rated Voltage (kV)	Insulation Level (kV)		Dimension (mm)			Characteristics			
		Power Frequency	Impulse	Height	Shed Diameter	Creepage Distance	Strength (kg)	Capacitance (pF)	Working Current (A)	Weight (kg)
UMV 10-2	12	28	75	130	100	220	300	150	0.35	1.0

## Dimensions (mm)



## Voltage Indicator

Usually, this voltage indicator is earthed through the push button switch. In inspection, push the push button switch once (with a "click") to light up the lamps, and then again push once (with a "click") to turn off the lamps. For safety purpose, the lamps and varister are connected in parallel.

