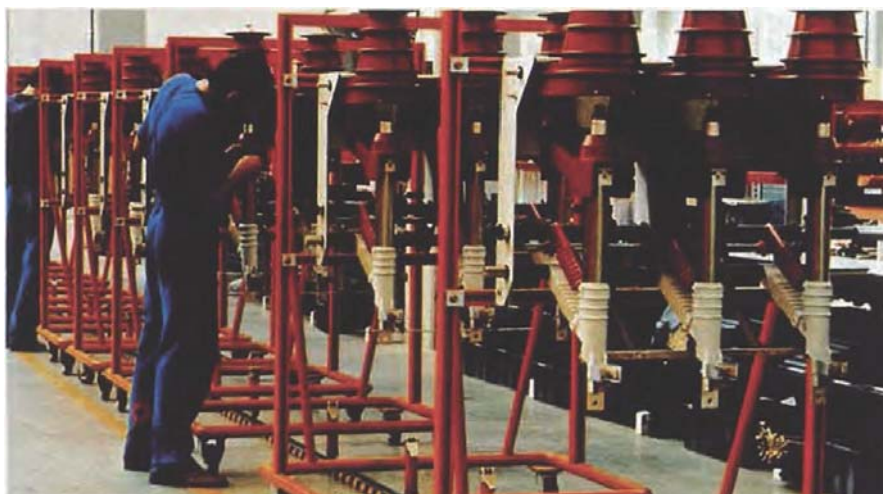
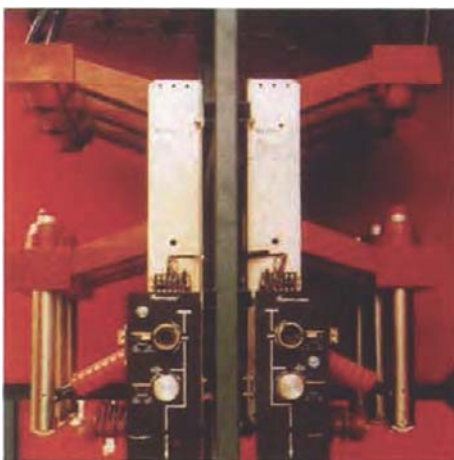
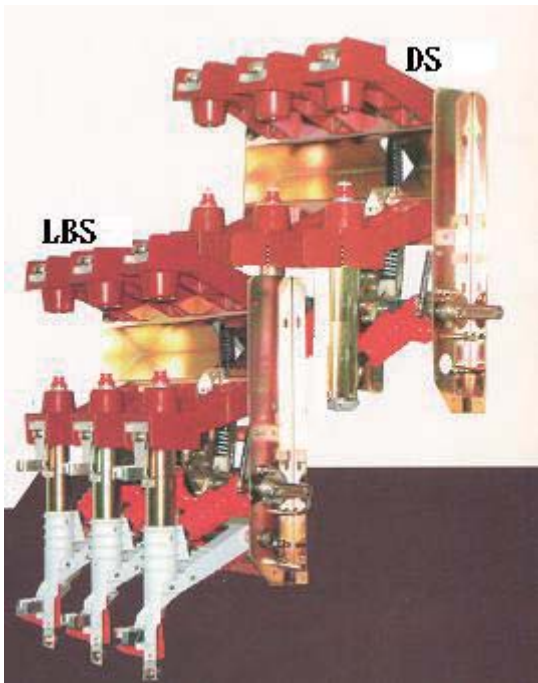


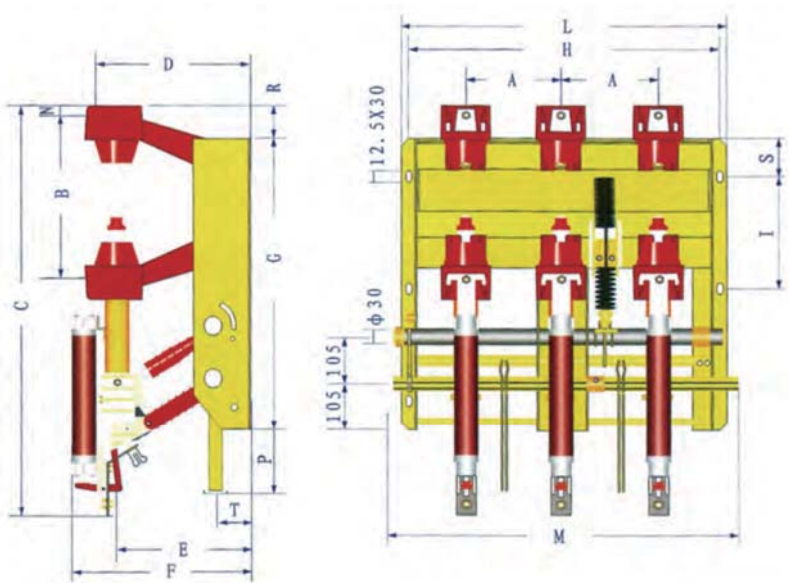
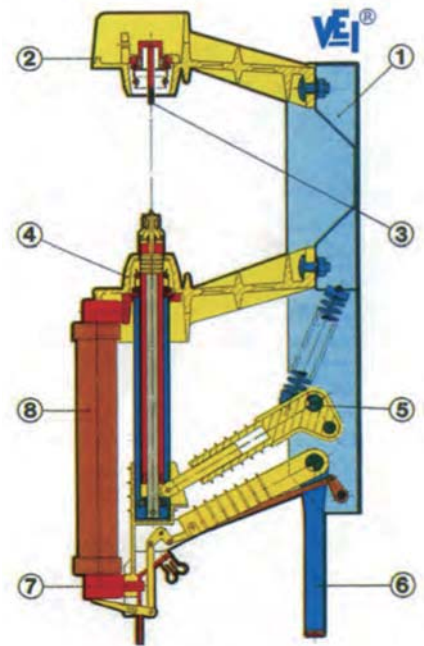
# VEI Load Break Switches Disconnecter Switches *Vertical Impact Type*



Type (model)		LBS (2P-09)		DS (1P-09)	
Rated Voltage	kV	12	24	12	24
Maximum Service Voltage	kV	12	24	12	24
Withstand Voltage to Earth and Between Poles	kV	28	50	28	50
Withstand Voltage Across Isolating Distance	kV	32	60	32	60
Impulse Withstand Voltage to Earth and Between Poles	kV	75	125	75	125
Impulse Withstand Voltage Across Isolating Distance	kV	85	145	85	145
Rated Current	A	630	630	630	630
Breaking Capacity for Active Circuits (cos $\phi$ =0.7) and for Ring-circuits	A	630	630	630	630
Breaking Capacity for No-load Transformer	A	20	20	20	20
Breaking Capacity for No-load Line and Cables	A	25	25	25	25
Short-time Current / 1s	kA	12.5 – 16 – 20			
Making Capacity	kA	31.5 – 40 – 50			
Auxiliary Contact (option)		Standard: 2C , Maximum: 4C			
Tripping Coil (option)		■	■	■	■
Manufacturing Standard		IEC 60265			

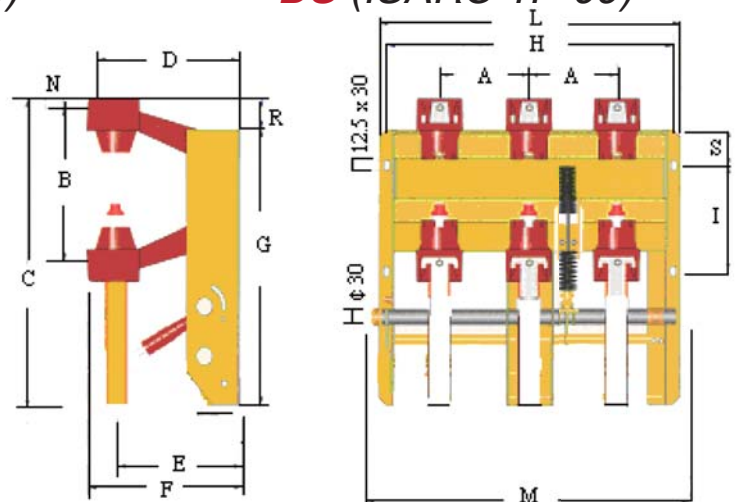
# SECTIONAL VIEW OF LOAD-BREAK SWITCH POLE ISARC-P

1. Frame
2. Upper Insulator
3. Upper Fixed Arcing Contact
4. Lower Insulator
5. Main Shaft
6. Earthing Blades (LBS only)
7. Fuse Holder (LBS only)
8. Fuse (LBS only)



**LBS (ISARC 2P-09)**

**DS (ISARC 1P-09)**



## DIMENSIONS (mm)

TYPE		A	B	C	D	E	F	G	H	I	L	M	N	P	R	S	T	Weight
LBS	12kV	210	380	900	335	290	395	655	620	300	660	790	35	125	80	100	78	65kg
	24kV	300	455	1070	403	375	480	770	800	400	840	1080	50	200	90	35	96	80kg
DS	12kV	210	380	695	335	290	355	655	650	300	660	815	30	-	80	100	-	60kg
	24kV	300	455	850	403	375	460	765	800	400	840	1080	50	-	90	35	-	75kg